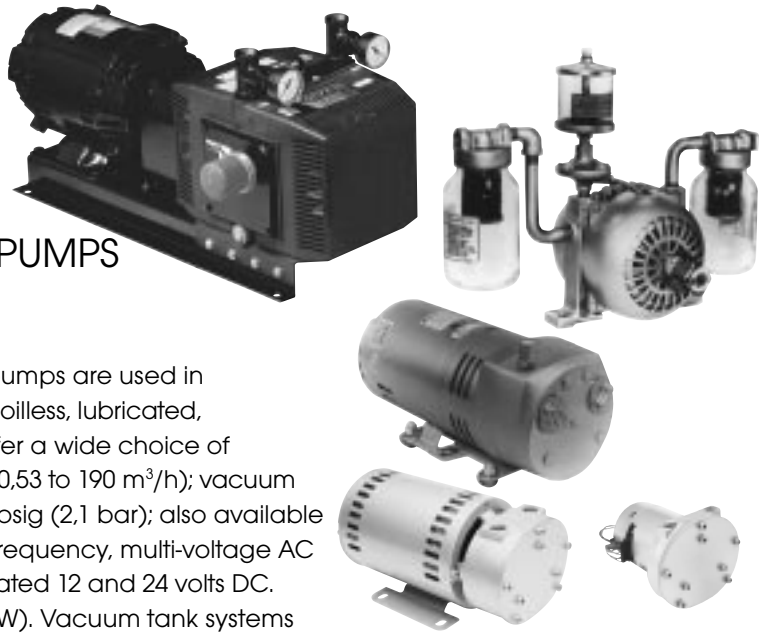


# ROTARY VANE COMPRESSORS & VACUUM PUMPS



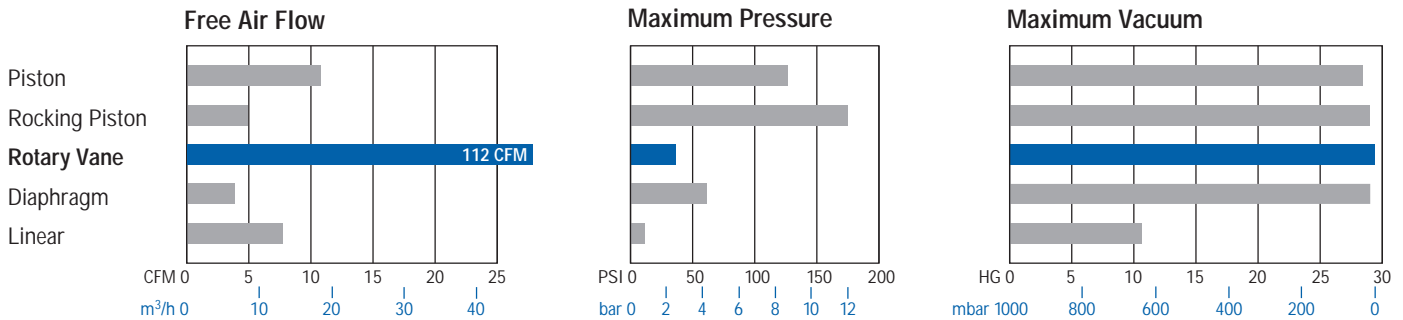


## AIR COMPRESSORS • VACUUM PUMPS

# Rotary Vane

Gast Rotary Vane air compressors and vacuum pumps are used in thousands of applications worldwide. Available in oilless, lubricated, motor-mounted and separate drive styles, they offer a wide choice of capabilities including air flow from .31 to 112 cfm (0,53 to 190 m<sup>3</sup>/h); vacuum up to 29.5 in. Hg (13 mbar); and pressure up to 30 psig (2,1 bar); also available are dual function styles. Electric motors are dual frequency, multi-voltage AC for worldwide applications, with smallest models rated 12 and 24 volts DC. Horsepowers range from 1/45 to 15 HP (0,02 to 11,1 kW). Vacuum tank systems come in simplex and duplex variations, with tank sizes ranging from 2 to 60 gallons. A complete line of recommended accessories is also available.

Here's how our Rotary Vane performance compares with that of our other popular positive displacement vacuum pumps and compressors. Use these charts to see if a Rotary Vane pump is the right choice for your application.



## Why use a Rotary Vane pump?

Rotary Vane vacuum pumps and compressors have certain significant advantages. In addition to providing **smooth, pulse-free air flow** without receiver tanks, they are compact (or equivalently offer high flow capacities for a given size), are simple and **economical to install and operate**, have **low starting and running torque** requirements, produce **minimal noise or vibrations**, are capable of **long, service-free life** and are **easily serviced**.

If these features are what you need in your pneumatic application, a Gast Rotary Vane model can provide you the right solution.

## Typical Applications

- Breathing Air Supply
- Circulation Therapy
- Packaging
- Graphic Arts
- Pond Aeration
- Vacuum Hold-Down
- Air Sampling
- Office/Business Machines
- Food Processing Equipment
- Laboratory Use
- Soil Sparging
- Vacuum Forming
- Air Bearings

The units that we list in this catalog are a small portion of what we actually make. Those listed are considered "standard units" and are normally available from stock in small quantities. Variations are produced for many customers and by passing on to us the application specifications we might find an existing unit that fits your requirement. If we don't and the quantity is sufficient, we will design a "special unit" for the application.

Pictorial and dimensional data is subject to change without notice.

The information presented in this catalog is based on technical data and test results of nominal units. It is believed to be accurate and is offered as an aid in the selection of Gast products. It is the user's responsibility to determine suitability of the product for intended use and the user assumes all risk and liability whatsoever in connection therewith.

**Warning: Units Should Not Pump Combustible Gases or Be Used in Combustible Ambients**



This catalog presents the models primarily in ascending order of free air flow, with motor mounted styles first followed by our separate drive offerings. The table below will assist you in locating a particular model or series.

## How does a Rotary Vane pump work?

Pumping action is produced by a series of sliding, flat vanes as they rotate in a cylindrical housing. As the diagram

shows, an eccentrically mounted rotor turns and the individual vanes slide in and out of their slots by centrifugal and pressure-loading forces. This creates a series of air compartments of unequal volume against the wall of the housing. These compartments get larger during the suction part of the cycle, creating vacuum at the intake port and smaller during the discharge portion of the cycle, creating pressure at the exhaust port.

The vacuum and pressure flows are free of pulsation because the inlet and exhaust ports do not have valves, and the air is moved continuously rather than intermittently.

MODEL/ SERIES	POWER RATING @ 60 Hz		FREE AIR FLOW				MAXIMUM PRESSURE		MAXIMUM VACUUM		Page No.
	hp	kW	cfm		m <sup>3</sup> /h		psi	bar	" Hg	mbar	
			50 Hz	60 Hz	50 Hz	60 Hz					
<b>Motor Mounted</b>											
1531	1/10		1.25	.15	2.5		15	1.0	20	335	4
0532	1/15	0,05	.29	.6	0,49	1,0	15	1,0	20	335	5
1032	1/15	0,05	.92	1.1	1,56	1,9	10	0,7	20	335	5
1532	1/10	0,07	1.3	1.5	2,2	2,5	10	0,7	20	335	5
2032	1/8	0,09	2.0	2.4	3,4	4,1	10	0,7	26	133	7
3032	1/6	0,12	2.4	2.6	4,1	4,4	10	0,7	26.5	116	7
0211	1/6	0,12	1.1	1.3	1,9	2,2	20	1,4	20	335	9
0323-1423 (5 models)	1/4-1	0,19- 0,56	2.7-11.5	3.2-13	4,6- 19,5	5,4-22	10	0,7	26.5	116	11-14
RV Series	1/6	0,12	--	3.8-4.8	—	6.5-8.7	5	0,33	15	492	15
2070	2	1,5	16	20	27	34	--	--	25	167	16
<b>Separate Drive</b>											
0533	1/15	0,05	.5	.6	0,85	1,0	15	1,0	20	335	18
1033	1/10	0,07	.9	1.1	1,53	1,9	15	1,0	20	335	18
1034	.18	0,13	—	1.6	—	2,7	10	0,7	20	335	19
1534	.18	0,13	—	2.2	—	3,7	10	0,7	20	335	19
0240-0740	1/4-1/3	0,19- 0,25	1.5-4.9	1.9-6.0	2,5- 8,3	3,2-10	10	0,7	20	335	20
0465	1/4	0,19	3.4	4.0	5,8	6,8	—	—	28	65	22
0765	1/3	0,25	5.0	6.0	8,5	10	—	—	28	65	22
1550	3/4	0,56	11.5	14.5	19,5	24,7	15	1,0	20	335	22
1065-2565	1/2-1 1/2	0,37-1,1	7.3-16.5	8.5-21	12-28	14,4-35,7	25	1,7	28	65	24
2067-2567	1-1 1/2	0,75-1,1	14-17	17-21	24-29	29-35,7	15	1,0	28	65	26-28
2080-4080	2-5	1,5-3,7	20-37	25-45	34-63	42-76	15	1,0	25	167	29
3040	2	1,5	31	40	53	68	10	0,7	20	335	31
4565	3	2,2	36	47.5	61	80,1	15	1,0	25	167	33
5565	3	2,2	45	55	76	93,5	—	—	20	335	34
6066	5	3,7	45	55	76	93,5	15*	1,0	25	167	35
1290**	10	7,5	—	112	—	190	20	1,4	—	—	35

\*Standard model performance. Soil sparging model capable of 20 psi.

\*\*Soil sparging model.

## Product and Application Information

### Unit Life Expectancy

Many variables determine the life expectancy of a unit. Among them are:

1. Ambient temperature

Gast's units operate best within a temperature range of 32°F (0°C) to 100°F (38°C). Lower temperatures affect a unit's ability to start and higher temperatures affect its life. Contact the factory for authorization of unusual ambient conditions.

2. Duty level

3. Operating cycle

4. Operating speed

5. Condition of air handled

- Cleanliness
- Humidity
- Heat
- Chemical vapors present (corrosive, noncorrosive)

6. Unit maintenance

- Lubrication (if required)
- Filter maintenance
- Muffler maintenance

### Electric Motors

All electric motors supplied with Gast vacuum pumps are designed to operate at plus or minus 10% of nameplate voltage. Motors to meet special requirements are available upon request. Various brand-name motors are furnished on any model at the discretion of Gast.

### Starting Under Load

Rotary vane units will start under load. The vanes permit the internal chamber of the unit to bleed off during the cycle. At start-up, the pump is not subjected to full load until enough centrifugal force has been attained to throw the vanes out against the body. By that time, the motor has gained enough momentum to continue its cycle without stress.

### Catalog Performance Specifications

The specifications listed are that of a unit at sea level with an ambient temperature of 70°F (21°C), operating with normal electrical current conditions.

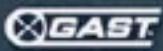
The figures stated in this catalog are nominal approximations for models without accessories. Intake filters and exhaust mufflers, and the accumulation of contaminants in them during operation, will decrease the flow of air as well as the achievable pressure.

### Continuous vs. Intermittent Operation

Continuous vs. intermittent duty usually must be considered. Our definition of intermittent duty is 10 minutes or less on and 10 minutes or more off. Please note that when you refer to performance curves in this catalog, the solid line indicates continuous operation, while the dashed line shows intermittent duty.

### European Community's CE Machinery Directive

Given its international perspective, Gast has also pledged to conform to the European Community's Machinery Directive, a safety certification program for all products targeted for marketing in the European Community. Currently, all Gast products sold in the European Community are in compliance and include a Declaration Certificate.



## Oilless 1531 Series

**MODEL 1531 SERIES** (AC & 12 Volt)  
20" HG MAX. VAC., 1.5 CFM OPEN FLOW  
10 PSI MAX. PRESSURE

### PRODUCT FEATURES

- Oilless operation
- Motor mounted
- Rugged construction/low maintenance
- Essentially pulse-free service

### INCLUDES

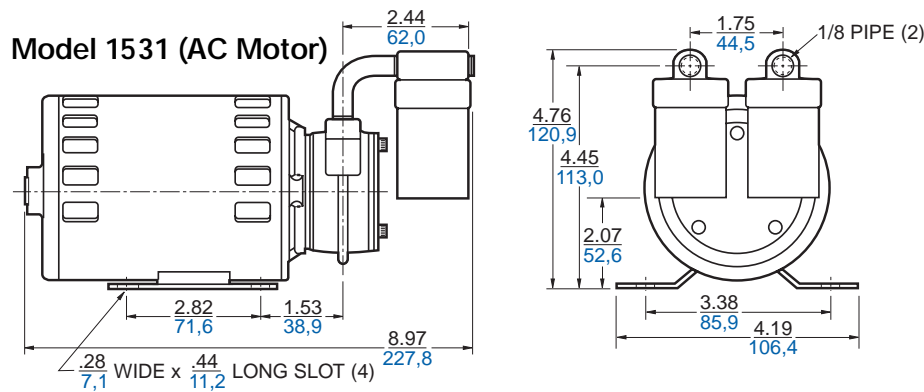
- Muffler/filter AA922H
- Thermotector (on AC Models only)

### RECOMMENDED ACCESSORIES

- Vacuum relief valve AA204
- Vacuum gauge AA641
- Pressure relief valve AA203
- Pressure gauge AA644B
- Repair kit K219

### Product Dimensions (mm, inches)

Dimensions are for reference only.

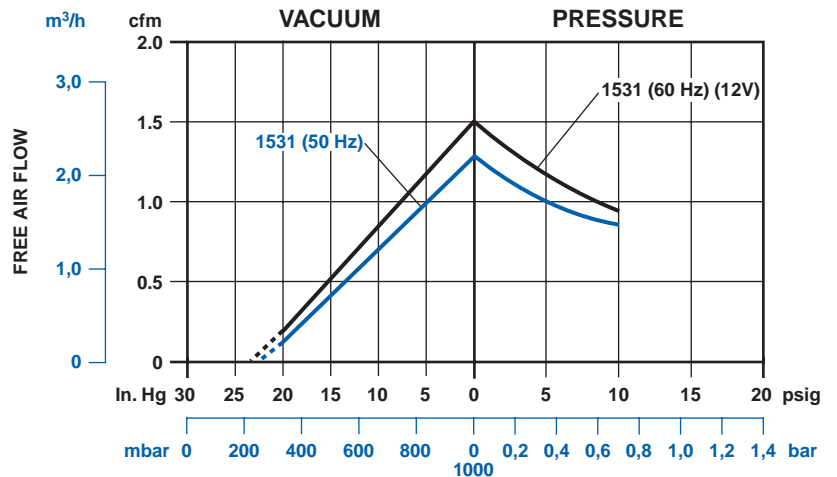


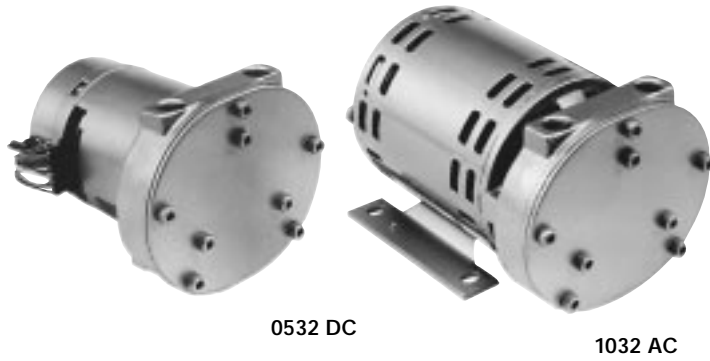
**Product Specifications Note:** All models listed can be used as either a vacuum pump or compressor.

Model Number	Motor	RPM		HP	kW	Thermotector	Net Wt.	
		60 cycle	50 cycle				lbs.	kg
1531-107B-G288X	100-110/100-115-50/60-1	3450	2850	1/10	0,07	•	8	3,6
1531-107B-G617	12 Volt DC		3450	1/8	0,09		9	4,1
1531-107B-G289X	220-240/230-50/60-1	3450	2850	1/10	0,07	•	7	3,2
1531-107B-G557X†	115-60/50-1	3450	2850	1/10	0,07	•	7	3,2

†Includes 10 ft. cord and switch.

### Product Performance (Metric, U.S.)





0532 DC

1032 AC

## Oilless 0532, 1032, 1532 Series

### MODEL 0532 SERIES

20" HG MAX. VAC., 0.6 CFM OPEN FLOW 15 PSI MAX. PRESSURE

### MODEL 1032 SERIES

20" HG MAX. VAC., 1.1 CFM OPEN FLOW 10 PSI MAX. PRESSURE

### MODEL 1532 SERIES

20" HG MAX. VAC., 1.5 CFM OPEN FLOW 10 PSI MAX. PRESSURE

Dimensions are for reference only. Only AC motor options shown.  
Note: Sound attenuator adds approximately 1" (25,4 mm).

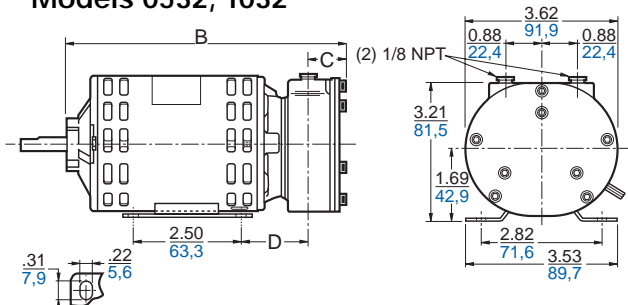


Units shown without sound attenuator.

### Product Dimensions (mm, inches)

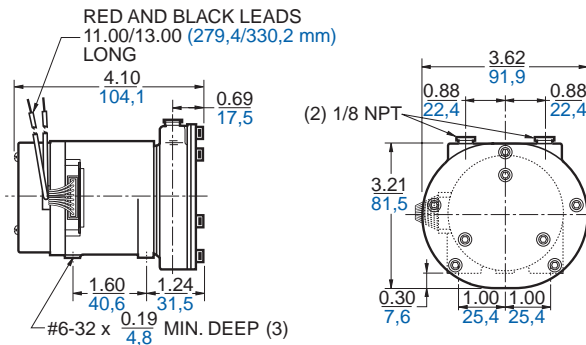
Model	B	C	D	Model	B	C	D
0532	166,6	17,5	33,5	0532	6.56	0.69	1.32
1032	176,0	22,1	38,4	1032	6.93	0.87	1.51

### Models 0532, 1032

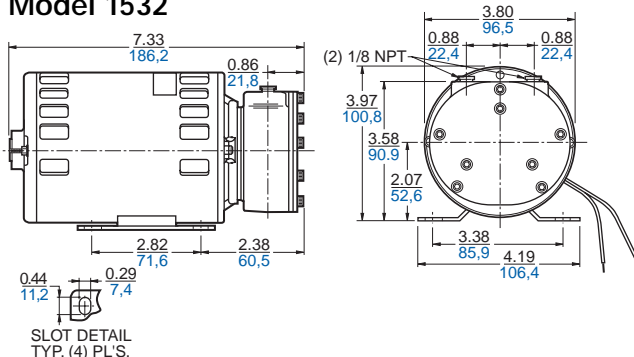


SLOT DETAIL  
TYP. (4) PL'S.

### Model 0532 24V BLDC



### Model 1532



### PRODUCT FEATURES

- Oilless, pulse-free operation
- Motor mounted
- Low noise levels

### INCLUDES

- Low and high speed motor options
- Internal sound suppression/filtration
- Thermotector (on AC Models only)
- Capacitor (unattached)
- On board controls for motor commutation on 24V BLDC 0532
- External cooling fan on low speed 1032 (unattached)
- Sound attenuator VG2016 (unattached)

### RECOMMENDED ACCESSORIES

- Vacuum relief valve AA204
- Vacuum gauge AA641
- Pressure relief valve AA203
- Pressure gauge AA644B
- Repair kit K494A (0532), K497 (1032/1532)



## Product Specifications

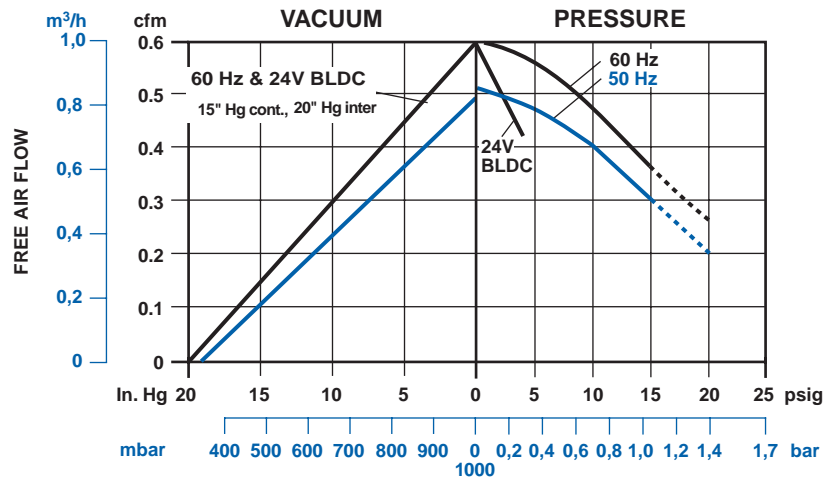
Note: All models listed can be used as either a vacuum pump or compressor.

Model Number	Motor	RPM		HP	kW	Thermotector	Net Wt.	
		60 cycle	50 cycle				lbs.	kg
0532-101-G621X	110/115-50/60-1	3450	2850	1/15	0,05	•	7	3,2
0532-101-G563B	24V BLDC	variable		1/30	0,02	•	4.5	2,1
1032-101-G619X	100-110/100-115-50/60-1	3450	2850	1/15	0,05	•	8	3,6
1032-101-G618X	220-240/230-50/60-1	3450	2850	1/15	0,05	•	8	3,6
1532-101-G288X	100-110/100-115-50/60-1	3450	2850	1/10	0,07	•	8	3,6
1532-101-G289X	220-240/230-50/60-1	3450	2850	1/10	0,07	•	8	3,6
1532-701-RM012*	220/240-50-1 IP44	—	2850	1/10	0,07	•	8	3,6

\*Available only in Europe.

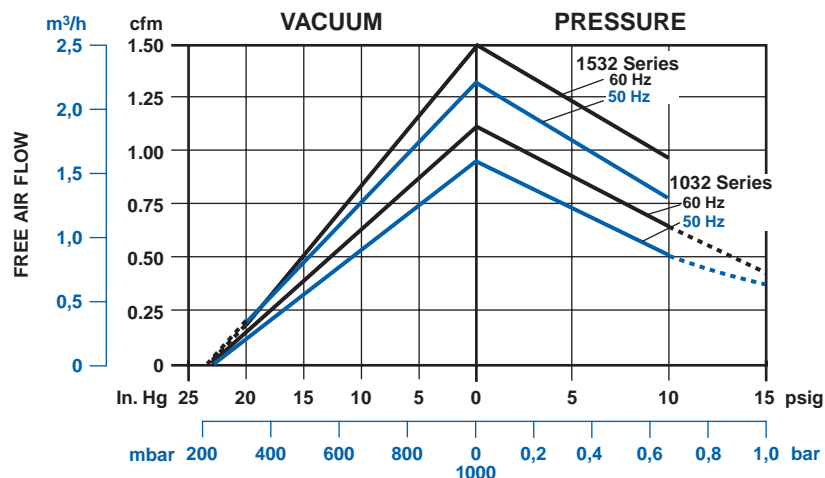
## Product Performance (Metric, U.S.)

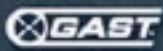
### 0532 Series



**Note:**  
24V BLDC performance is at approximately 3400 rpm. Operation beyond 4000 rpm is not recommended.

### 1032, 1532 Series





## Oilless 2032, 3032 Series

### MODEL 2032 SERIES

26" HG MAX. VAC., 2.4 CFM OPEN FLOW  
10 PSI MAX. PRESSURE

### MODEL 3032 SERIES

26.5" HG MAX. VAC., 2.6 CFM OPEN FLOW  
10 PSI MAX. PRESSURE



Units shown without  
sound attenuator.

### Product Dimensions (mm, inches)

Model	A	B	C	D	E	F	G	H	I	J	K
2032	192.3	23.6	66.5	71.6	98.0	22.4	101.6	91.4	52.6	85.9	106.4
2032	7.57	.93	2.62	2.82	3.86	.88	4.00	3.60	2.07	3.38	4.19
2032 24V BLDC	182.9	23.6	40.1	76.2	91.9	22.4	102.6	91.2	52.6	66.8	89.4
2032 24V BLDC	7.20	.93	1.58	3.00	3.62	.88	4.04	3.59	2.07	2.63	3.52
2032 12V DC	201.7	23.6	58.4	71.6	99.6	22.4	103.1	90.9	52.3	85.8	106.4
2032 12V DC	7.94	.93	2.30	2.82	3.92	.88	4.06	3.58	2.06	3.38	4.19
3032	179.8	26.4	69.9	71.6	98.0	22.4	101.6	93.7	52.6	85.8	104.6
3032	7.08	1.04	2.75	2.82	3.86	.88	4.00	3.69	2.07	3.38	4.12

Dimensions are for reference only.

Note: Sound attenuator adds approximately 1.25" (31.8 mm) to dimension H.

### PRODUCT FEATURES

- Oilless, pulse-free operation
- Motor mounted
- Low noise levels

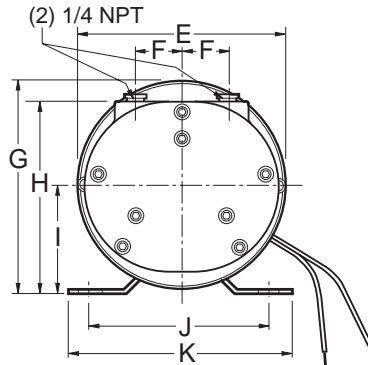
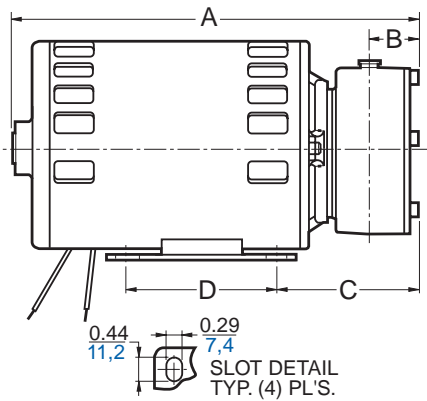
### INCLUDES

- Internal sound suppression/filtration
- Thermotector (on all AC Models)
- Capacitor (unattached)
- Motor controls on 24V BLDC (unattached)
- Sound attenuator AK840A (unattached)

### RECOMMENDED ACCESSORIES

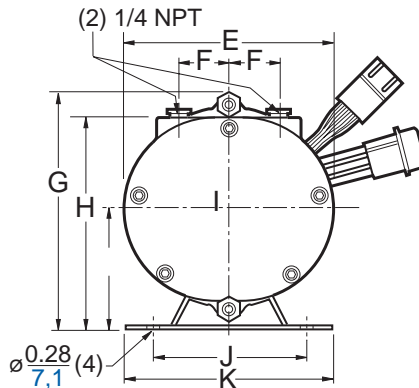
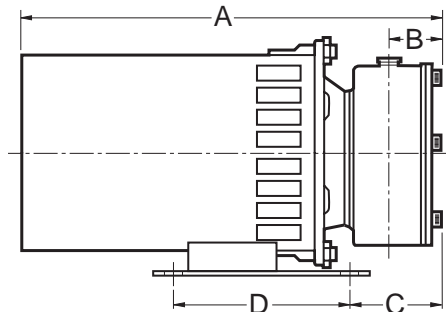
- Vacuum relief valve AA204 or AA840A
- Vacuum gauge AA640
- Pressure relief valve AA600 or AA203
- Pressure gauge AA644B
- Repair kit K442A (2032), K554 (3032)

### Models 2032, 3032



### Model 2032 24V BLDC

Motor controls not shown.





## Product Specifications

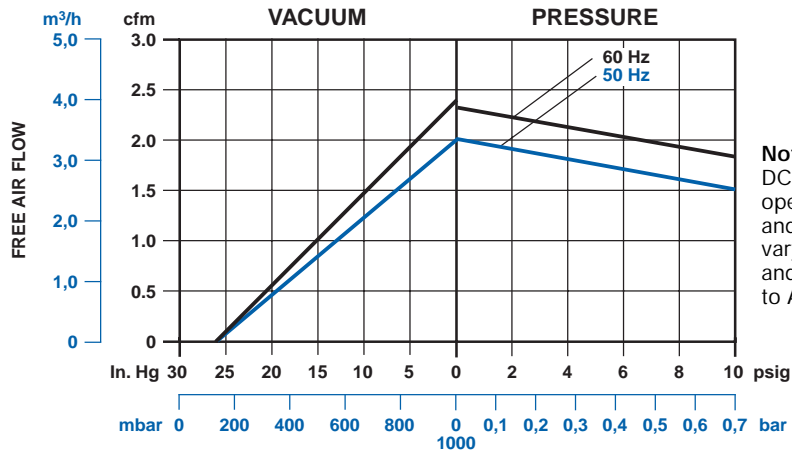
**Note:** All models listed can be used as either a vacuum pump *or* compressor.

Model Number	Motor	RPM		HP	kW	Thermotector	Net Wt.	
		60 cycle	50 cycle				lbs.	kg
2032-101-G616X	220-240/230-50/60-1	3450	2850	1/8	0,09	•	9	4,1
2032-101-G644	24V BLDC	variable		1/8	0,09		9	4,1
2032-101-G617	12V	3000		1/8	0,09		10	4,5
3032-101A-G609X	100-110/100-115-50/60-1	3450	2850	1/6	0,12	•	10	4,5
3032-701-RM112*	220/240-50-1 IP44	—	2850	1/6	0,12	•	10	4,5

\*Available only in Europe.

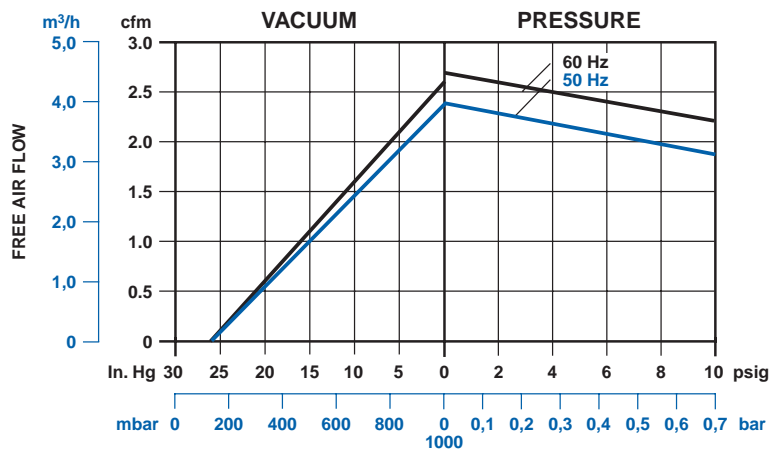
## Product Performance (Metric, U.S.)

### Model 2032

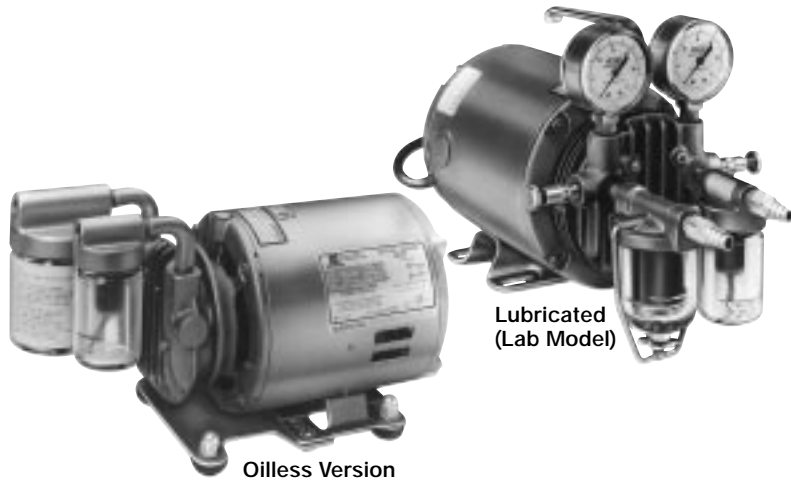


**Note:** DC models can achieve open flows between 1.25 and 1.85 cfm depending on varying rpm. Max. vacuum and pressure is comparable to AC models.

### Model 3032







## Lubricated or Oilless 0211 Series

### MODEL 0211 SERIES

#### LUBRICATED:

20" HG MAX., VAC., 20 PSI MAX. PRESSURE  
1.3 CFM OPEN FLOW

#### OILLESS:

20" HG MAX., VAC., 15 PSI MAX. PRESSURE  
1.1 CFM OPEN FLOW

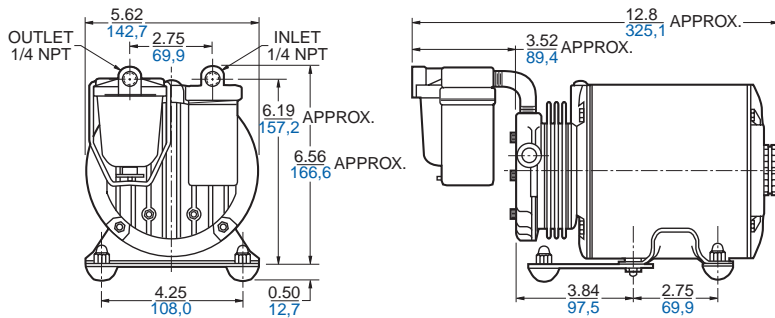
### 0211 LAB MODEL (Lubricated)

Specially accessorized for laboratory use.  
20" HG MAX. VAC., 20 PSI MAX. PRESSURE  
1.3 CFM OPEN FLOW

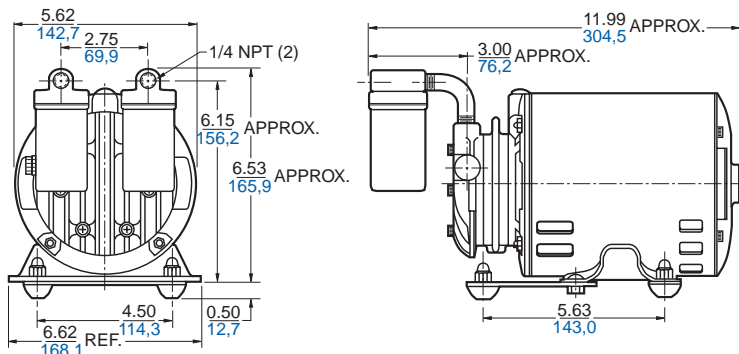
### Product Dimensions (mm, inches)

Dimensions are for reference only.

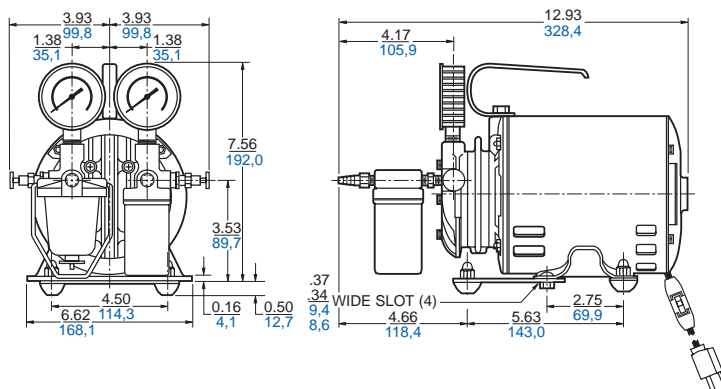
#### Lubricated Version



#### Oilless Version



#### Lab Model (Lubricated)



### PRODUCT FEATURES

- Lubricated or oilless operation
- Motor mounted
- Rugged construction/low maintenance
- Essentially pulse-free service
- Built-in pressure relief valve on standard units (Non-Lab Models)

### INCLUDES

#### Lubricated Standard Models:

- Muffler V425B
- Filter/oiler AA680K

#### Oilless Standard Models:

- Muffler/filter AA617G (2)

#### Lab Models (Lubricated):

- Gauges – Vacuum AA640, Pressure AA644B
- Hose barbs AA254C
- Regulators AA986B
- Carrying handle AC174
- Cord with on/off switch AA896
- Foot support assembly AC136
- Oiler/filter AA680J
- Muffler AB580B

### RECOMMENDED ACCESSORIES

- Vacuum relief valve AA840A
- Vacuum gauge AA640 (Standard Models)
- Pressure gauge AA644B (Standard Models)
- Oil AD220
- Repair kit K216 (Lubricated Vacuum Models)
- Repair kit K217 (Lubricated Pressure plus Lab Models)
- Repair kit K218 (Oilless, Pressure or Vacuum)



## Product Specifications

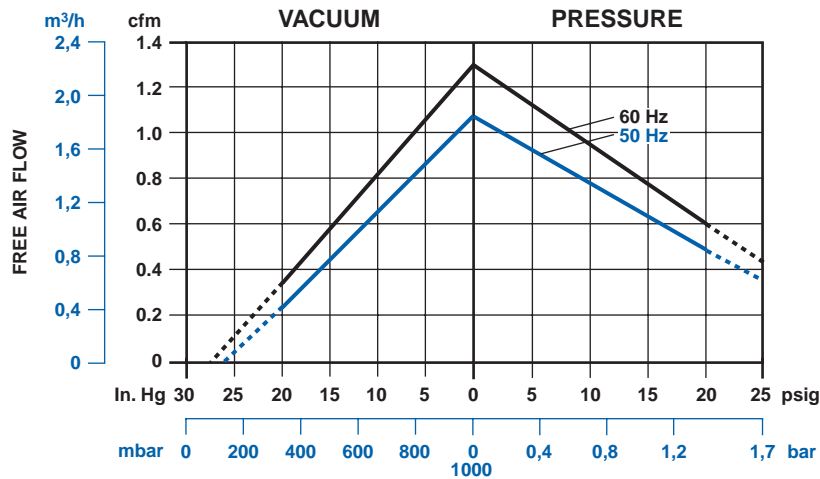
Note: V/P = can be used as vacuum pump or compressor, P = pressure model, V = vacuum model.

Model Number	Motor	RPM		HP	kW	Net Wt.	
		60 Hz	50 Hz			lbs.	kg
<b>LUBRICATED</b>							
0211-P3B-G8CX (P)	115-60-1	1725	-	1/6	0,12	19	8,6
0211-V36A-G8CX (V)	115-60-1	1725	-	1/6	0,12	19	8,6
0211-V36A-G230CX (V)	220-50-1	—	1425	1/6	0,12	19	8,6
0211-V45F-G8CX (V)	115-60-1	1725	-	1/6	0,12	19	8,6
0211-V45F-G230CX (V/P)*	220-50-1	—	1425	1/6	0,12	19	8,6
<b>OILLESS</b>							
0211-103A-G8CX (V/P)	115-60-1	1725	—	1/6	0,12	17	7,7
0211-103A-G230CX (V/P)	220-50-1	—	1425	1/6	0,12	17	7,7

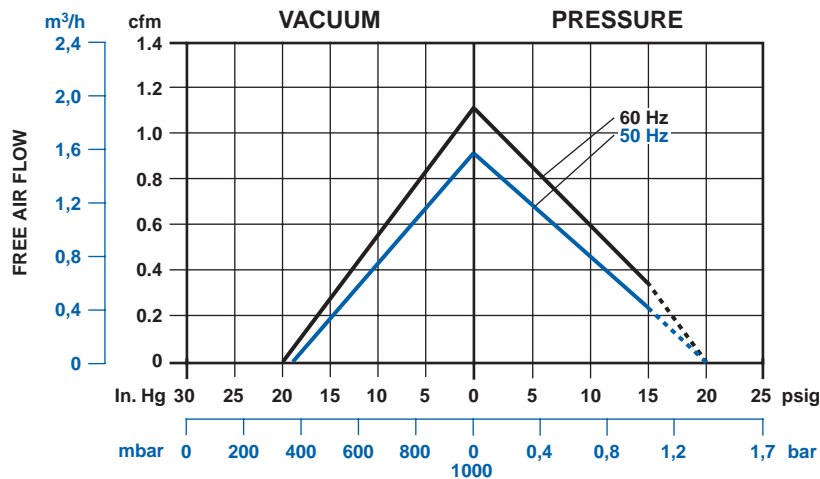
\*Lab Model

## Product Performance (Metric, U.S.)

### Lubricated Models

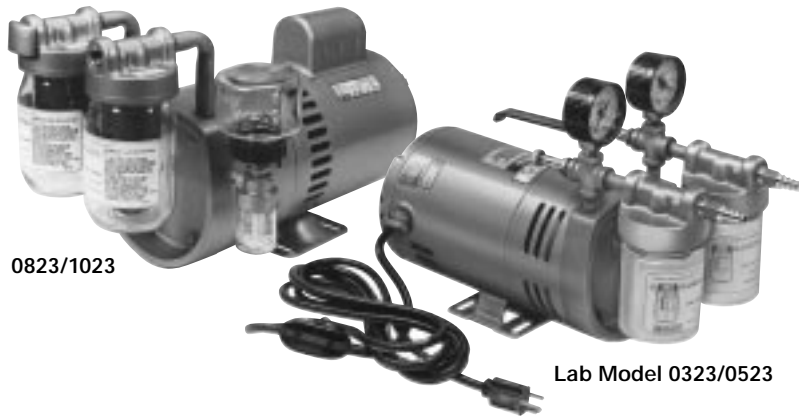


### Oilless Models





# Motor Mounted Rotary Vane 3.2, 4.5, 8.0 and 10.0 cfm



0823/1023

Lab Model 0323/0523

## Lubricated 23 Series 0323, 0523, 0823, 1023 Models

**MODEL 0323 SERIES** (Vacuum Model)  
25.0" HG MAX. VAC., 3.2 CFM OPEN FLOW

**0323 LAB MODEL** (Vacuum or Pressure)  
Specially accessorized for laboratory use.  
25.0" HG MAX. VAC. OR 10 PSI MAX. PRESSURE,  
3.2 CFM OPEN FLOW

**MODEL 0523 SERIES** (Vacuum Model)  
26.5" HG MAX. VAC., 4.5 CFM OPEN FLOW

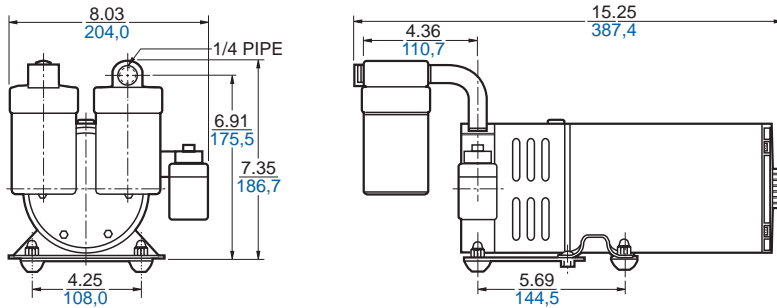
**0523 LAB MODEL** (Vacuum or Pressure)  
Specially accessorized for laboratory use.  
26.0" HG MAX. VAC. OR 10 PSI MAX. PRESSURE,  
4.5 CFM OPEN FLOW

**MODEL 0823 SERIES** (Vacuum Model)  
26.5" HG MAX. VAC., 8.0 CFM OPEN FLOW

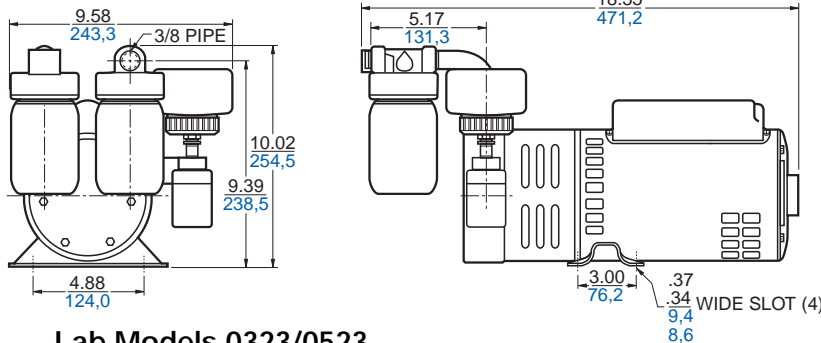
**MODEL 1023 SERIES** (Vacuum Model)  
26.5" HG MAX. VAC., 10.0 CFM OPEN FLOW

**Product Dimensions (mm, inches)**  
Dimensions are for reference only.

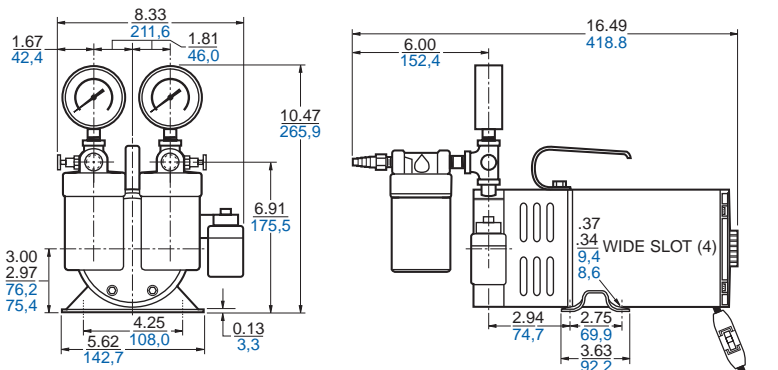
### Models 0323/0523



### Models 0823/1023



### Lab Models 0323/0523



Note: Foot assembly (included) not shown.

### PRODUCT FEATURES

- Lubricated operation
- Motor mounted
- Rugged construction/low maintenance
- Essentially pulse-free service

### INCLUDES

- Foot support assembly AC136 (0323/0523) – Vacuum Models
- Thermotector (on Single Phase Units only)
- Oiler assembly AA930A (0323/0523) – Vacuum Models
- Constant level oiler AD125K (0823/1023)
- Oil reservoir AD117 (0823/1023)
- Filter V400G (0323/0523), AB599 (0823/1023)
- Muffler V425K (0323/0523), AB599C (0823/1023)

### Lab Models:

- Gauges – Vacuum AA640, Pressure AA644B
- Hose barbs AA254D
- Regulators AA986A
- Carrying handle AC174
- Cord with on/off switch AA896
- Foot support assembly AC136
- Muffler AB609B
- Filter AB609D
- Oiler assembly AA930B

### RECOMMENDED ACCESSORIES

- Vacuum relief valve AA840A
- Vacuum gauge AA640
- Oil AD220
- Repair kit K485 (0323/0523) – Vacuum Models
- Repair kit K486 (0823/1023)
- Repair kit K556 (0323/0523) – Lab Models



## Product Specifications

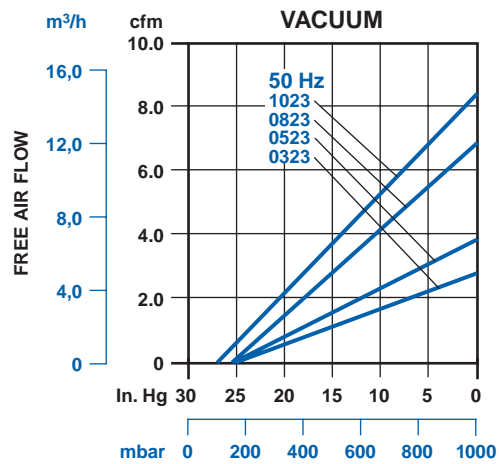
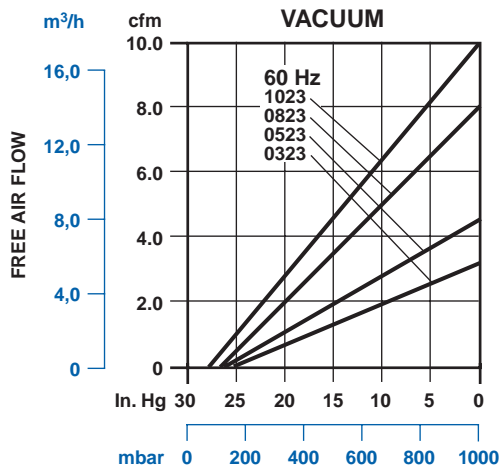
**Note:** All models listed below are vacuum models only except for the V4 (lab models) which are set up for vacuum or pressure.

Model Number	Motor	RPM		HP	kW	Thermotector	Foot Assy.	Net Wt.	
		60 cycle	50 cycle					lbs.	kg
0323-V3-SG588DX	100-110/220-240; 100-115/208-230-50/60-1	1725	1425	1/4	0,19	•	•	33	14,9
0323-V4-SG588DX*	100-110/220-240; 100-115/208-230-50/60-1	1725	1425	1/4	0,19	•	•	35	15,8
0523-V3-SG588DX	100-110/220-240; 100-115/208-230-50/60-1	1725	1425	1/4	0,19	•	•	33	14,9
0523-V803-G588DX*	110-120/220-240-50/60-1	1725	1425	1/4	0,19	•	•	34	15,3
0523-V4-SG588DX*	100-110/220-240; 100-115/208-230-50/60-1	1725	1425	1/4	0,19	•	•	35	15,8
0823-V2-SG608X	100-110/220-240; 100-115/208-230-50/60-1	1725	1425	3/4	0,56	•		54	24,3
1023-V2-SG608X	100-110/220-240; 100-115/208-230-50/60-1	1725	1425	3/4	0,56	•		54	24,3
1023-V2-G279	208-220/440-50/60-3	1725	1425	3/4	0,56			54	24,3

\* Lab Models

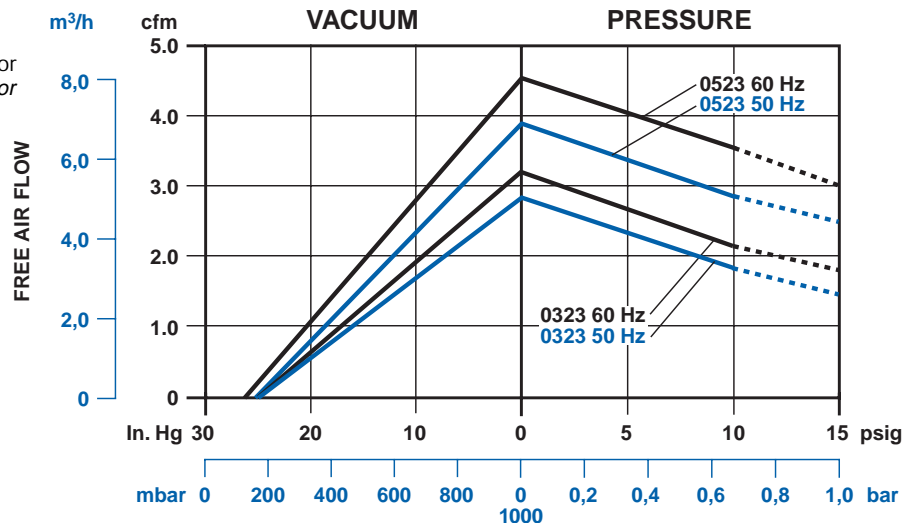
## Product Performance (Metric, U.S.)

### Vacuum Models



### Lab Models

**Note:** Performance shown is for operation as a vacuum pump or compressor, not combined.

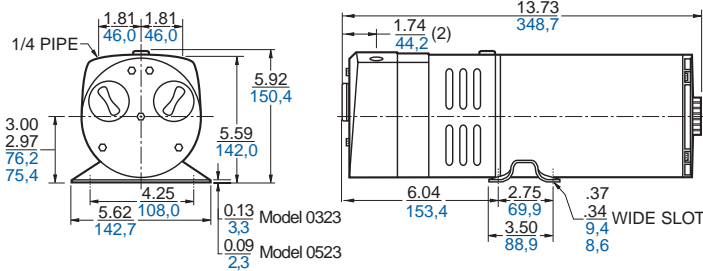




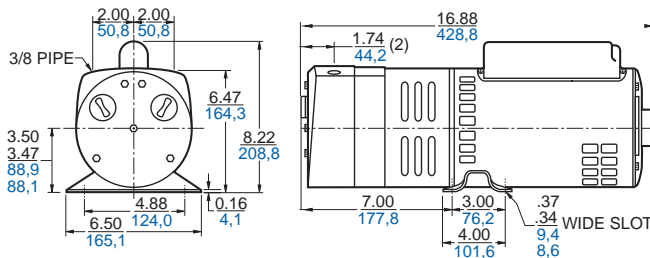
0323/0523

**Product Dimensions (mm, inches)**  
Dimensions are for reference only.

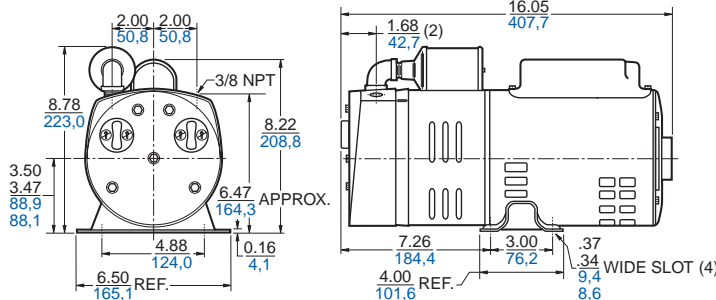
### Models 0323/0523



### Models 0823/1023



### Model 1423



## Oiless 23 Series 0323, 0523, 0823, 1023, 1423 Models

### MODEL 0323 SERIES

25" HG MAX. VAC., 3.2 CFM OPEN FLOW  
10 PSI MAX. PRESSURE, 3.2 CFM OPEN FLOW

### MODEL 0523 SERIES

26" HG MAX. VAC., 4.5 CFM OPEN FLOW  
10 PSI MAX. PRESSURE, 4.5 CFM OPEN FLOW

### MODEL 0823 SERIES (Vacuum Model)

26" HG MAX. VAC., 8.0 CFM OPEN FLOW  
10 PSI MAX. PRESSURE, 8.0 CFM OPEN FLOW

### MODEL 1023 SERIES

26" HG MAX. VAC., 10.0 CFM OPEN FLOW  
10 PSI MAX. PRESSURE, 10.0 CFM OPEN FLOW

### MODEL 1423 SERIES

25" HG MAX. VAC., 13.2 CFM OPEN FLOW  
10 PSI MAX. PRESSURE, 13.5 CFM OPEN FLOW

### PRODUCT FEATURES

- Oilless operation
- Motor mounted
- Rugged construction/low maintenance
- Essentially pulse-free service

### INCLUDES

- Thermotector (on Single Phase Units only)
- Internal muffler and filter
- External mufflers and filters (1423 Models)
- Silencer:
  - AK840A (0323)
  - AK840 (0523/0823/1023)
  - AC432 (1423 Models)
- Foot support assembly AC136 (0323/0523)

### RECOMMENDED ACCESSORIES

- Vacuum relief valve AA840A (0523/0823/1023/1423)
- Pressure relief valve AA600
- Vacuum gauge AA640
- Repair kit K478 (0323/0523)
- Repair kit K479 (0823/1023)
- Repair kit K575A (1423)

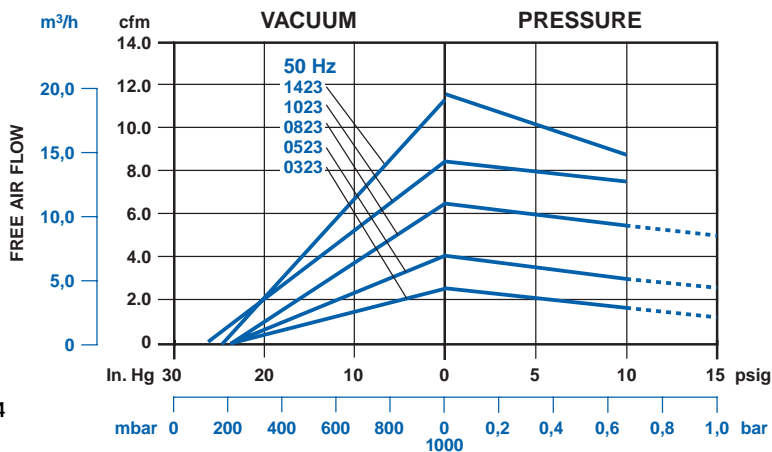
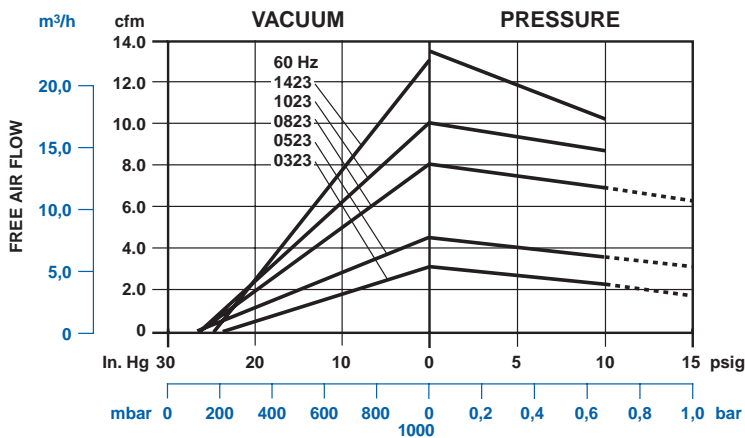


## Product Specifications

**Note:** Models listed below are single function compressors or vacuum pumps except for D101Q models, which are dual function.

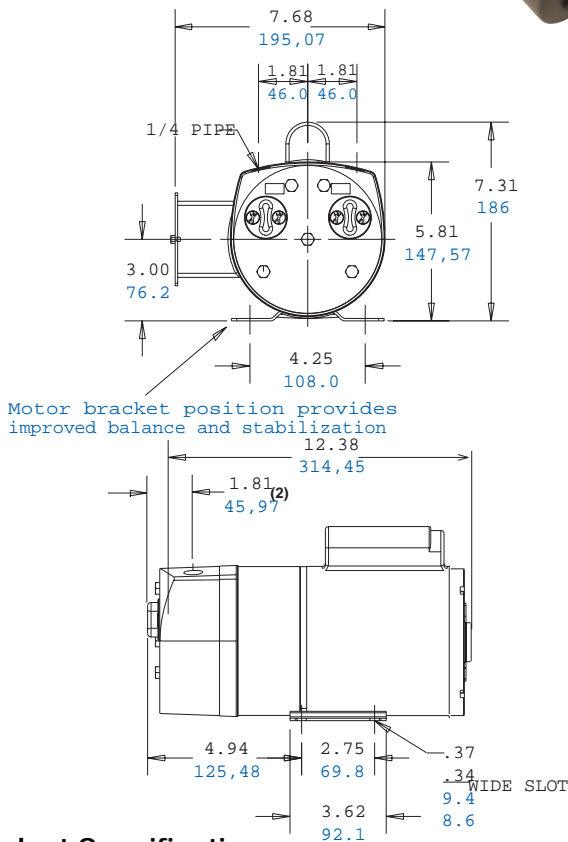
Model Number	Motor	RPM		HP	kW	Thermotector	Foot Assy.	Net Wt.	
		60 cycle	50 cycle					lbs.	kg
0323-101Q-SG588DX	100-110/220-240; 100-115/208-230-50/60-1	1725	1425	1/4	0,19	•	•	31	14,0
0523-101Q-SG588DX	100-110/220-240; 100-115/208-230-50/60-1	1725	1425	1/4	0,19	•	•	30	13,5
0523-V103-SG588DX	100-110/220-240; 100-115/208-230-50/60-1	1725	1425	1/4	0,19	•	•	30	13,5
0523-703Q-G588DX	110-120/220-240-50/60-1	1725	1425	1/4	0,19	•	•	32	14,4
0823-101Q-G279	208-220/440-60/50-3	1725	1425	3/4	0,56			47	21,2
0823-101Q-SG608X	100-110/220-240; 100-115/208-230-50/60-1	1725	1425	3/4	0,56	•		47	21,2
0823-V103-SG608X	100-110/220-240; 100-115/208-230-50/60-1	1725	1425	3/4	0,56	•		47	21,2
1023-101Q-SG608X	100-1210/220-240; 100-115/208-230-50/60-1	1725	1425	3/4	0,56	•		47	21,2
1023-101Q-G279	208-220/440-50/60-3	1725	1425	3/4	0,56			47	21,2
1023-703Q-G279	208-220/440-50/60-3	1725	1425	3/4	0,56			52	23,4
1023-V103-SG608X	100-110/220-240; 100-115/208-230-50/60-1	1725	1425	3/4	0,56	•		47	21,2
1023-703Q-ER80*	220-240/380-440-50/60-3 IP44	1725	1425	3/4	0,56			48	21,6
1423-101Q-G626X	100-110/200-220-240; 100-115/200-208-230-50/60-1	1725	1425	1	0,75	•		53	23,9
1423-101Q-G625	220-240-380-415; 230/460-50/60-3	1725	1425	1	0,75			53	23,9

## Product Performance (Metric, U.S.)





**Product Dimensions (mm, inches)**  
Dimensions are for reference only.



## Oilless RV Series RV03 and RV05 Models

### MODEL RV03 SERIES

15" HG MAX. VAC., 3.8 CFM OPEN FLOW  
5 PSI MAX. PRESSURE, 3.8 CFM OPEN FLOW

### MODEL RV05 SERIES

10" HG MAX. VAC., 4.8 CFM OPEN FLOW  
5 PSI MAX. PRESSURE, 4.8 CFM OPEN FLOW

### PRODUCT FEATURES

- Oilless operation
- Motor mounted
- New motor design
  - non ventilated motor offers better protection from dirt, bugs and fire ants
  - rear motor fan for additional cooling
- Up to 20% reduction in power consumption
- Up to 5dB(A) sound improvement
- Less vibration
- Improved mounting stability
- UL Recognized pressure only

### INCLUDES

- Thermotector (on Single Phase Units only)
- Internal muffler and filter
- Silencer B343B
- Foot support assembly AC136

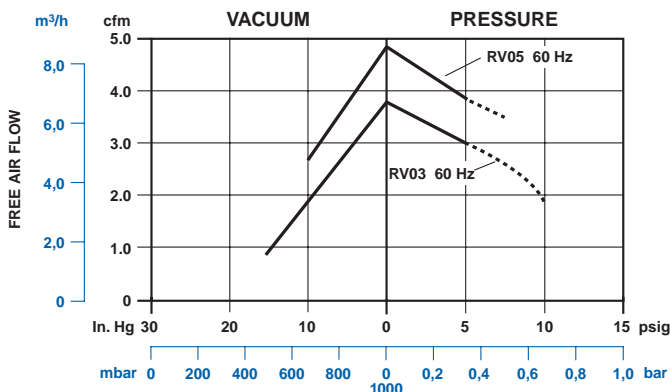
### RECOMMENDED ACCESSORIES

- Vacuum relief valve AA840A (0523/0823/1023/1423)
- Pressure relief valve AA600
- Vacuum gauge AA640
- Repair kit K882

### Product Specifications

Model Number	Motor	RPM		HP	kW	Thermotector	Foot Assy.	Net Wt.	
		60 cycle	50 cycle					lbs.	kg
RV03-101-G650DAX	115/60-1	1725	-	1/6	0,12	•	•	31	14,0
RV05-101-G650DAX	115/60-1	1725	-	1/6	0,12	•	•	30	13,5

### Product Performance (Metric, U.S.)





Units pictured without gauges.

### Product Dimensions (mm, inches)

Dimensions are for reference only.

## Oiless 70 Series

---

### MODEL 2070 SERIES

25.0" HG MAX. VAC., 20.0 CFM OPEN FLOW  
PRODUCT FEATURES

---

- Oilless operation
- Rugged construction/low maintenance
- Low noise

---

### INCLUDES

- Internal sound suppression
- Heavy duty internal filtration
- Vacuum gauge (AA640)
- Vacuum adjustable relief valve (AN226),

---

### RECOMMENDED ACCESSORIES

- Gauges and relief valves for separate drive models.  
See above part numbers.
- Complete repair kit K560
- Filter/muffler kit K561
  
- Filter/muffler kit K563s

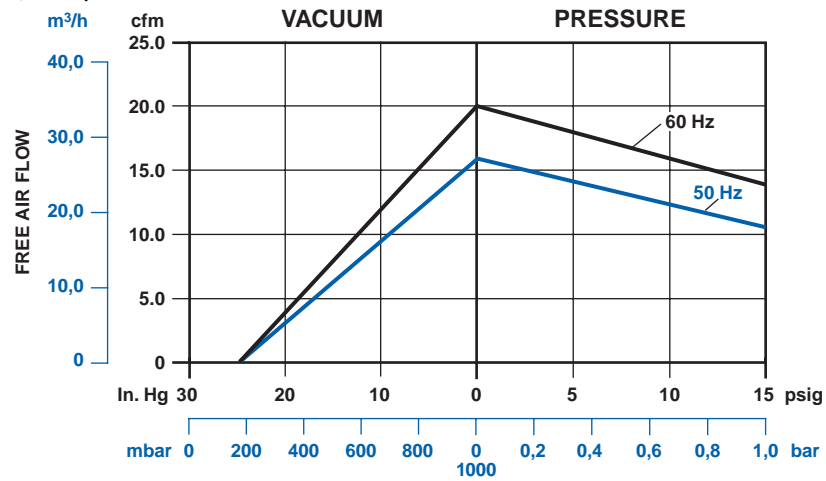




## Product Specifications

Model Number	Motor	RPM		HP	kW	Net Wt.	
		60 cycle	50 cycle			lbs.	kg
2070-V119	Not included	1725	1425	1½	1,12	70	31,5
2070-V128-T903X	100-110/200-240; 100-115/200-230: 50/60-1	1725	1425	1½	1,12	100	45,0

## Product Performance (Metric, U.S.)





## Oilless 0533, 1033 Series

### MODEL 0533-103A

20" HG MAX. VAC., 0.6 CFM OPEN FLOW  
15 PSI MAX. PRESSURE

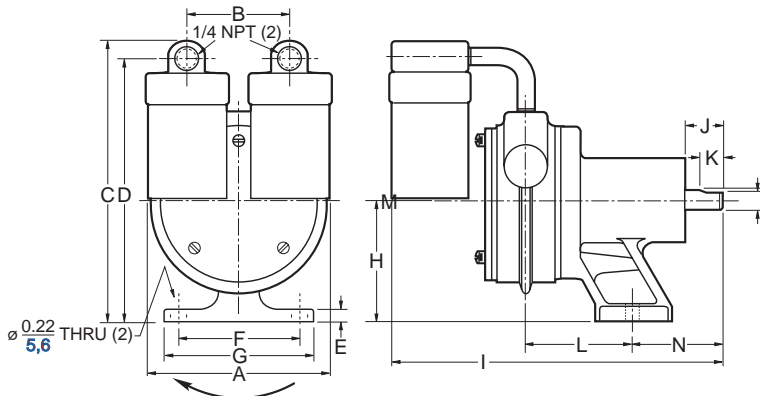
### MODEL 1033-102A

20" HG MAX. VAC., 1.1 CFM OPEN FLOW  
10 PSI MAX. PRESSURE

### Product Dimensions (mm, inches)

Model	A	B	C	D	E	F	G	H	I	J	K	L	M	N
0533	82.6	44.5	111.0	103.1	6.4	43.0	57.2	50.8	139.7	15.7	9.7	38.1	7.9	38.1
0533	3.25	1.75	4.37	4.06	.25	1.69	2.25	2.00	5.50	.62	.38	1.50	.31	1.50
1033	82.6	44.5	115.8	108.0	6.4	43.0	57.2	50.8	144.5	15.7	9.7	42.9	7.9	38.1
1033	3.25	1.75	4.56	4.25	.25	1.69	2.25	2.00	5.69	.62	.38	1.69	.31	1.50

Dimensions are for reference only.



### PRODUCT FEATURES

- Oilless operation
- Rugged construction/low maintenance
- Essentially pulse-free service

### INCLUDES

- Muffler AA922G
- Filter AA922H

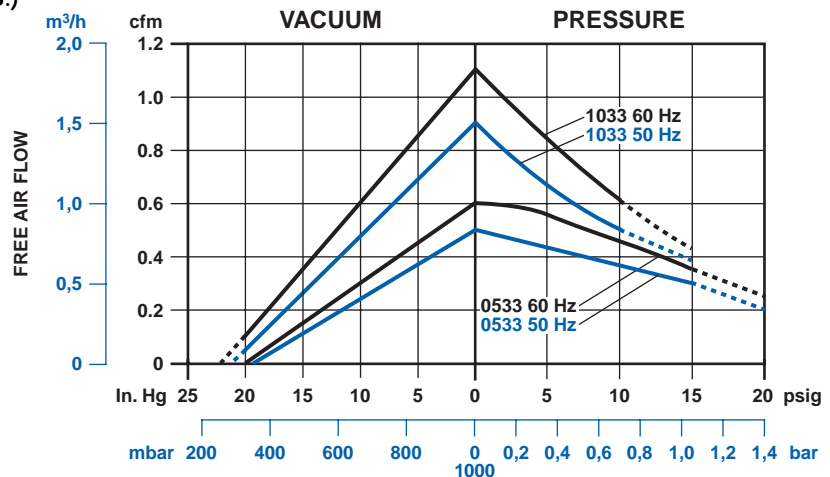
### RECOMMENDED ACCESSORIES

- Vacuum relief valve AA204
- Vacuum gauge AA641
- Pressure relieve valve AA203
- Pressure gauge AA644B
- Coupling (.31" x .31") AE540E
- Repair kit K259 (0533), K219 (1033)

### Product Specifications

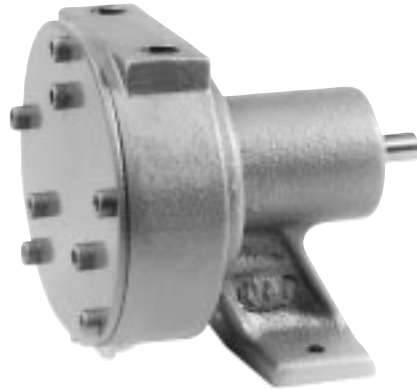
Model Number	RPM		HP	kW	Net Wt.	
	60 cycle	50 cycle			lbs.	kg
0533-103A	3450	2850	1/15	0,05	3	1,4
1033-102A	3450	2850	1/15	0,05	3	1,4

### Product Performance (Metric, U.S.)





# Oiless 1034, 1534 Series

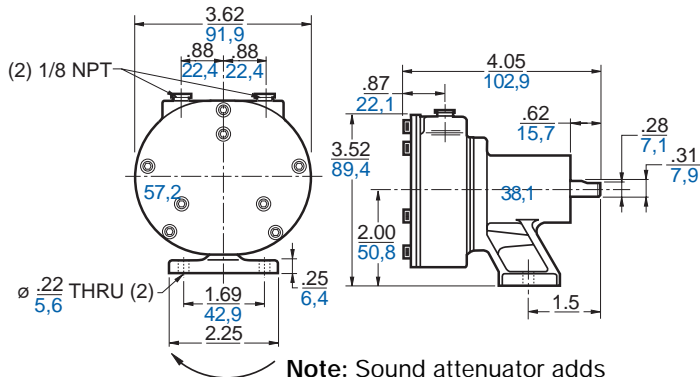


Units shown without sound attenuator.

Net wt. 3 lbs. (1,36 kg)

## Product Dimensions (mm, inches)

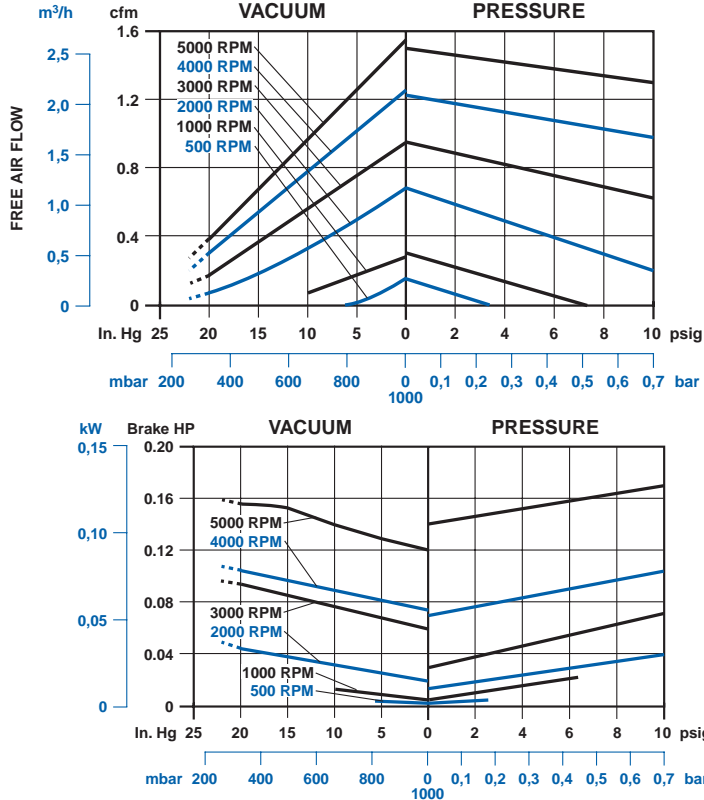
Dimensions are for reference only.



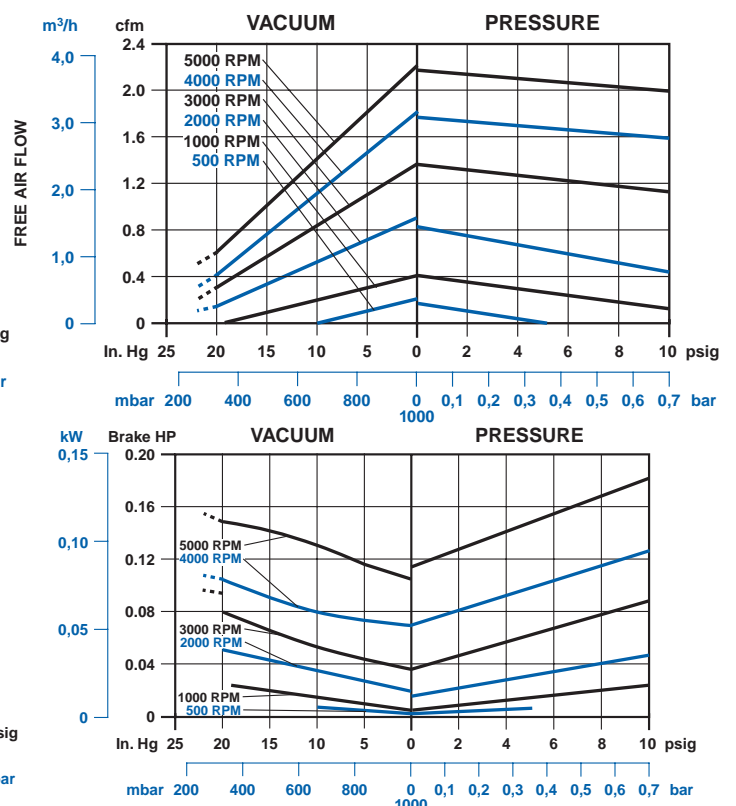
Note: Sound attenuator adds approximately 1" (25,4 mm) to height.

## Product Performance (Metric, U.S.)

### Model 1034



### Model 1534



## MODEL 1034-101

20" HG MAX. VAC., FLOW TO 1.57 CFM  
10 PSI MAX. PRESSURE

## MODEL 1534-101

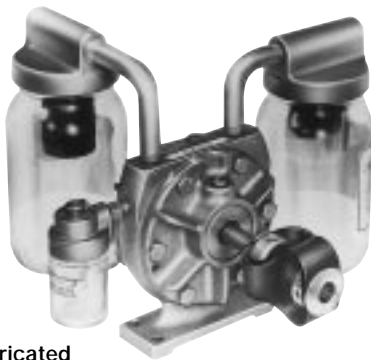
20" HG MAX. VAC., FLOW TO 2.2 CFM  
10 PSI MAX. PRESSURE

## PRODUCT FEATURES

- Oilless, pulse free operation
- Rugged construction/low maintenance
- Low noise levels
- Internal sound suppression/filtration
- Includes sound attenuator VG2016 (unattached)

## RECOMMENDED ACCESSORIES

- Vacuum relief valve AA204
- Vacuum gauge AA641
- Pressure relieve valve AA203
- Pressure gauge AA644B
- Coupling (.31" x .31") AE540E
- Repair kit K497



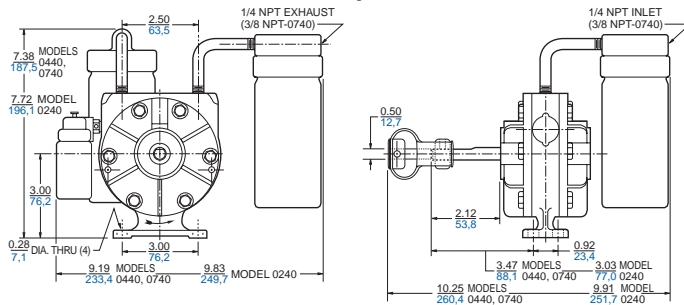
**Lubricated Vacuum Pump**



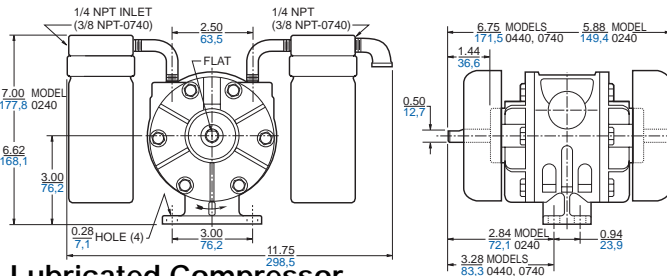
**Oilless Compressor**

**Product Dimensions (mm, inches)** Dimensions are for reference only.

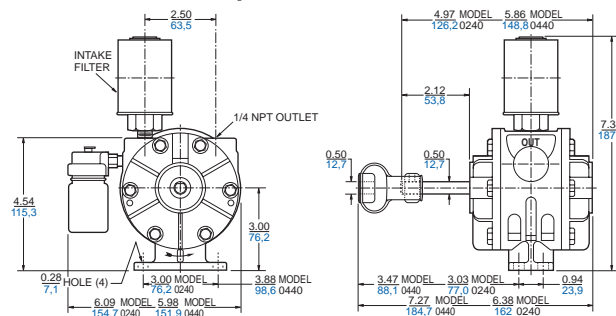
## Lubricated Vacuum Pump



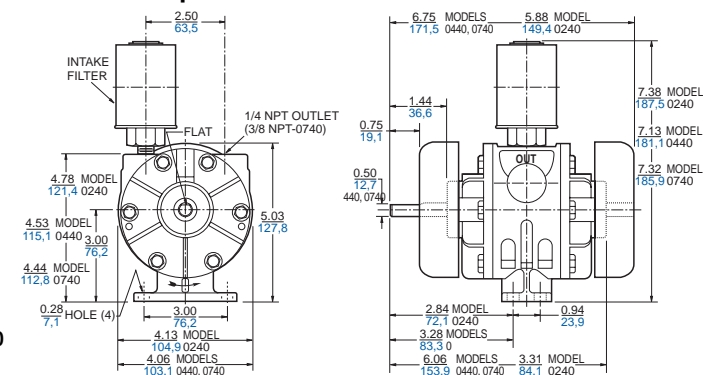
## Oilless Vacuum Pump



## Lubricated Compressor



## Oilless Compressor



## Lubricated or Oilless 0240, 0440, 0740 Series

### MODEL 0240 SERIES

#### LUBRICATED:

15" HG MAX. VAC., 1.9 CFM OPEN FLOW  
10 PSI MAX. PRESSURE

#### OILLESS:

20" HG MAX. VAC., 1.9 CFM OPEN FLOW,  
10 PSI MAX. PRESSURE

### MODEL 0440 SERIES

#### LUBRICATED:

15" HG MAX. VAC., 4.0 CFM OPEN FLOW  
10 PSI MAX. PRESSURE

#### OILLESS:

20" HG MAX. VAC., 4.0 CFM OPEN FLOW  
10 PSI MAX. PRESSURE

### MODEL 0740 SERIES

#### LUBRICATED:

10" HG MAX. VAC., 6.0 CFM OPEN FLOW

#### OILLESS:

20" HG MAX. VAC., 6.0 CFM OPEN FLOW  
10 PSI MAX. PRESSURE

## PRODUCT FEATURES

- Lubricated or oilless operation
- Rugged construction/low maintenance
- Essentially pulse-free service

## INCLUDES

### Lubricated

- Oiler AA930B (0240/0440) AA930C (0740) – Vacuum Pumps
- Oiler AA930F – Compressors
- Coupling assembly AE541A
- Muffler V425C (0240/0440), V500D (0740)
- Filter V400C (0240/0440)
- Filter B343B – Compressors

### Oilless

- Muffler V425A (0240/0440), V525A (0740)
- Filter V400G (0240), V400C (0440), V500D (0740)
- Filter B343B – Vacuum Pump & Compressor
- Cooling fan (B340C)

## RECOMMENDED ACCESSORIES

- Base AB324 (0240), AB325 (0440/0740)
- Vacuum relief valve AA840A
- Vacuum gauge AA640
- Pressure relief valve AA205 (0240), AA600 (0440)
- Pressure gauge AA644B
- Coupling AE541A (.50" x .50") – Oilless Models
- Coupling guard AE873
- Repair kit K225A (0240) K227A (0440), K229A (0740) – Oilless Models
- Repair kit K224A (0240), K226A (0440), K228A (0740) – Lubricated Models
- Oil AD220 – Lubricated Models

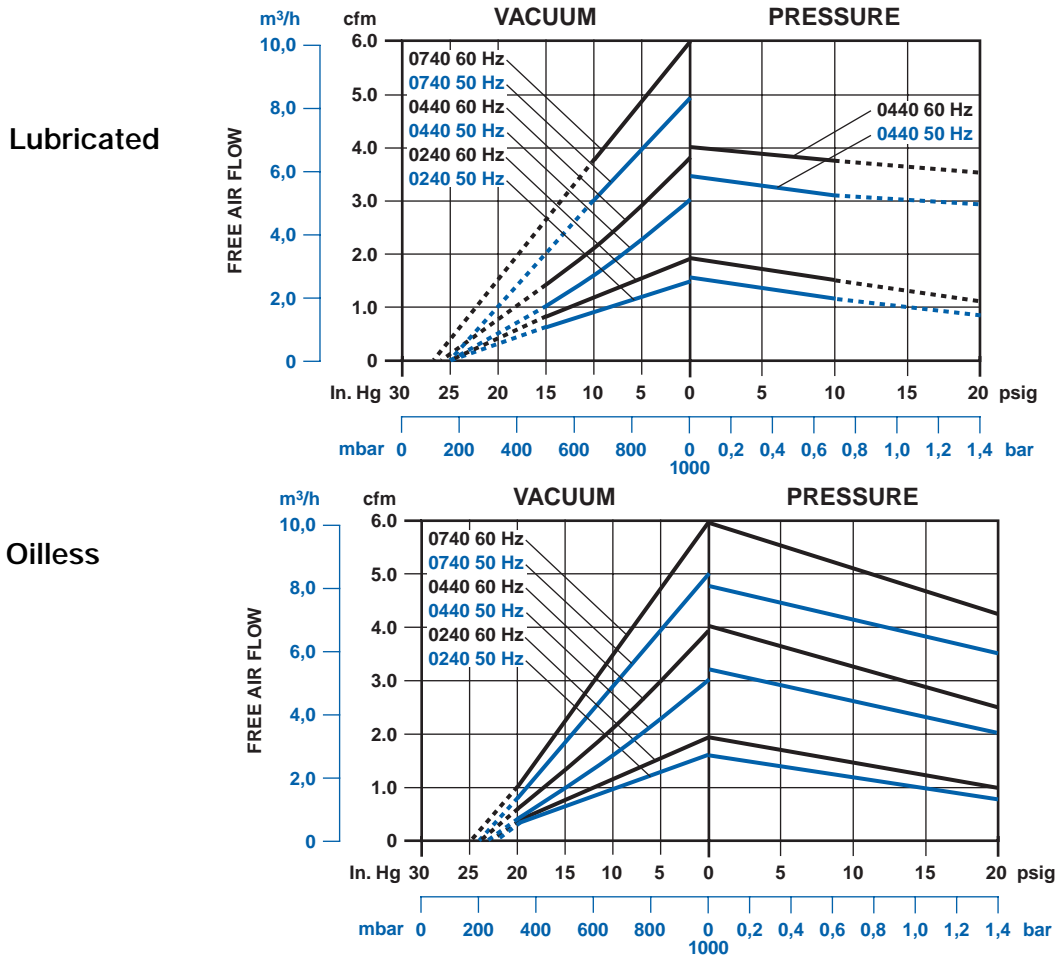


## Product Specifications

Note: "P" models are pressure, "V" models are vacuum.

Model Number	Motor	RPM		HP	kW	Coupling Guard	Base	Coupling	Net Wt.	
		60 cycle	50 cycle						lbs.	kg
<b>LUBRICATED</b>										
0240-P10B	Not included	1725	1425	1/4	0,19				7	3,2
0240-V2C	Not included	1725	1425	1/4	0,19			•	9	4,1
0440-P11B	Not included	1725	1425	1/4	0,19				9	4,1
0440-V2C	Not included	1725	1425	1/4	0,19			•	11	5,0
0740-V2A	Not included	1725	1425	1/3	0,25			•	12	5,4
<b>OILLESS</b>										
0240-P103A	Not included	1725	1425	1/4	0,19				7	3,2
0240-V105A	Not included	1725	1425	1/4	0,19				10	4,5
0440-P103A	Not included	1725	1425	1/4	0,19				9.5	4,3
0440-V105A	Not included	1725	1425	1/4	0,19				12	5,4
0740-P106A	Not included	1725	1425	1/3	0,25				10	4,5
0740-P112B	Not included	1725	1425	1/3	0,25	•	•	•	16	7,2
0740-V104A	Not included	1725	1425	1/3	0,25				12	5,4
0740-V114B	Not included	1725	1425	1/3	0,25	•	•	•	20	9,0

## Product Performance (Metric, U.S.)





## Lubricated 0465, 0765 Series

### MODEL 0465 SERIES

28" HG MAX. VAC., 4.0 CFM OPEN FLOW

### MODEL 0765 SERIES

28" HG MAX. VAC., 6.0 CFM OPEN FLOW

#### PRODUCT FEATURES

- Lubricated operation
- Rugged construction/low maintenance
- Essentially pulse-free service

#### INCLUDES

- Oiler
- Muffler V525
- Filter V500D
- Cooling fan B340C
- Coupling assembly AE541A (0465), AE541C (0765)

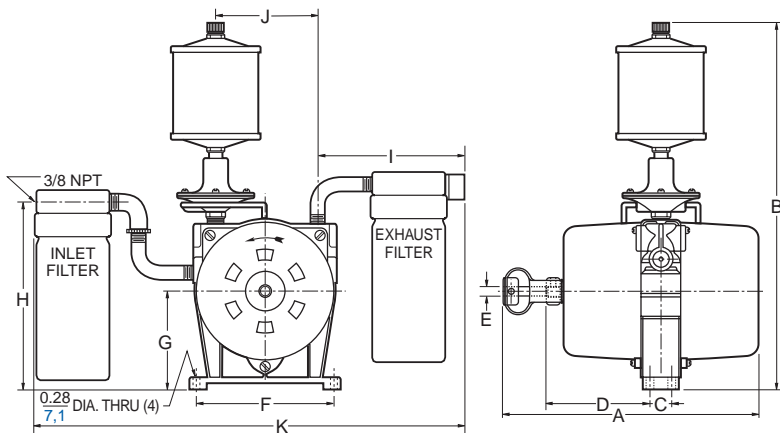
#### RECOMMENDED ACCESSORIES

- Base AB325
- Vacuum relief valve AA840A
- Vacuum gauge AA640
- Coupling guard AE873
- Oil AD220
- Repair kit K234 (0465), K235 (0765)

#### Product Dimensions (mm, inches)

Model	A	B	C	D	E	F	G	H	I	J	K
0465	223,5	342,9	23,9	88,1	12,7	127,0	88,9	169,9	138,2	79,2	390,7
0465	8.80	13.50	.94	3.47	.50	5.00	3.50	6.69	5.44	3.12	15.38
0765	225,5	341,4	23,9	88,1	15,9	127,0	88,9	169,9	138,2	79,2	390,7
0765	8.88	13.44	.94	3.47	.625	5.00	3.50	6.69	5.44	3.12	15.38

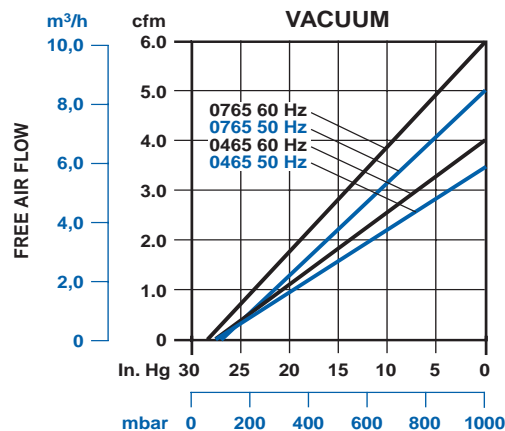
Dimensions are for reference only.



#### Product Specifications

Model Number	Motor	RPM		HP	kW	Coupling Guard	Base	Thermotector	Net Wt.	
		60 cycle	50 cycle						lbs.	kg
0465-V2B	Not included	1725	1425	1/4	0,19				15	6,8
0765-V6A	Not included	1725	1425	1/3	0,25				14	6,3
0765-V7C	Not included	1725	1425	1/3	0,25	.	.		19	8,6

#### Product Performance (Metric, U.S.)





Vacuum Pump



Compressor

## Oiless 1550 Series

### MODEL 1550 SERIES

20" HG MAX. VAC., 14.5 CFM OPEN FLOW  
15 PSI MAX. PRESSURE

#### PRODUCT FEATURES

- Oilless operation
- Pulley driven (multiple speeds possible)
- Rugged construction/low maintenance
- Essentially pulse-free service

#### INCLUDES (on Standard Models)

- Filter AB600F (Vacuum Pump)/AC433 (Compressor)
- Muffler AB600J (Vacuum Pump)
- Cooling fan AC326C
- 5" P.D. pulley AB140

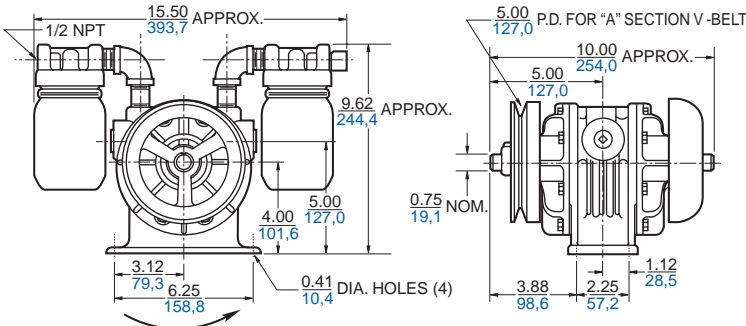
#### RECOMMENDED ACCESSORIES

- Base AB897A (Vacuum Pump)/AB889A (Compressor)
- Belt guard AB332B (Vacuum Pump)
- Belt guard AB334B (Compressor)
- Vacuum relief valve AA840A
- Pressure relief valve AA600
- Vacuum gauge AA640
- Pressure gauge AA644B
- Repair kit K231A

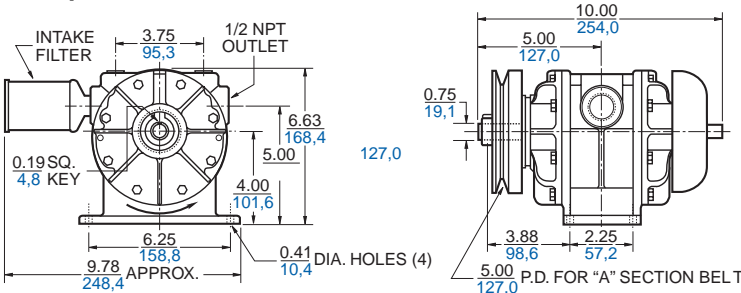
#### Product Dimensions (mm, inches)

Dimensions are for reference only.

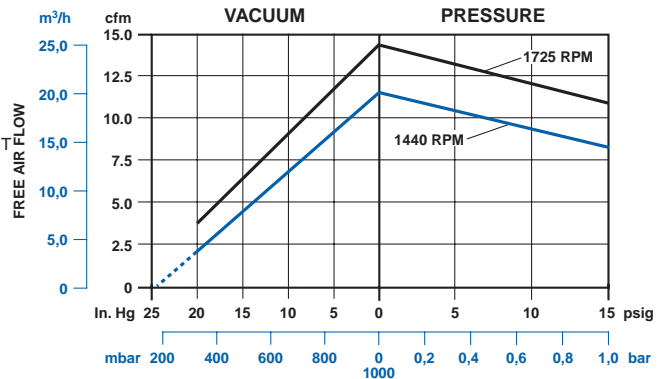
##### Vacuum Pump



##### Compressor



#### Product Performance (Metric, U.S.)



#### Product Specifications

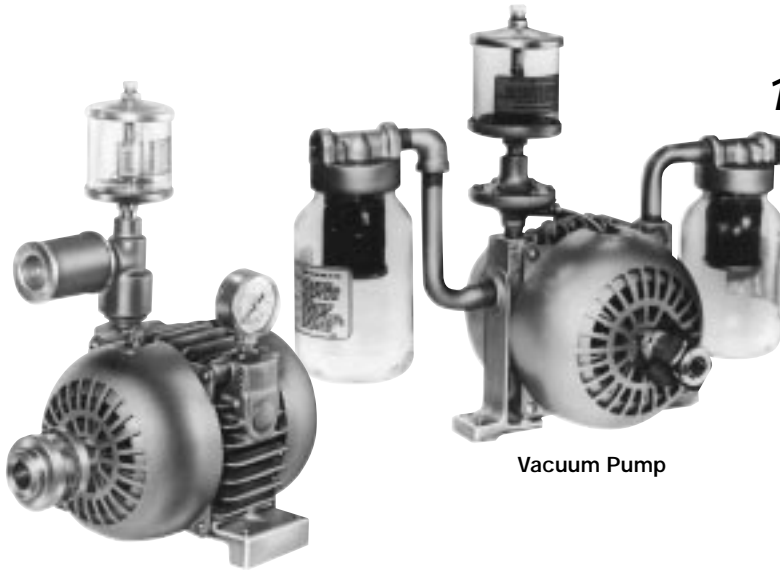
Note: "P" models are pressure, "V" models are vacuum.

Model Number	Motor	Belt Guard	Base	Thermotector	RPM	HP	kW	Net Wt.	
								lbs.	kg
1550-P139B	—	—	—	—	1440	1	0,75	30	13,5
1550-P140J	—	•	•	—	1725	1½	1,1	57	25,7
1550-141J-T336 (P)	230/460-60-3	•	•	—	1725	1½	1,1	89	40,1
1550-P139B-SD110-1*	220/240-380/415-50-3 IP54	•	•	—	1725	1½	1,1	89	40,1
1550-V136B	—	—	—	—	1725	¾	0,56	33	14,9
1550-V137J	—	•	•	—	1440	½	0,37	52	23,4
1550-V138K-G34AX	115/230-60-1	•	•	•	1440	½	0,37	76	34,2
1550-V137K	—	•	•	—	1725	¾	0,56	52	23,4
1550-V136B-SD100-1*	380/415-50-3	•	•	—	1725	1	0,75	80	36,0

\*Available only in Europe.



## Lubricated 1065, 2065, 2565 Series



Compressor

Vacuum Pump

### MODEL 1065 SERIES

28" HG MAX. VAC., 8.5 CFM OPEN FLOW  
25 PSI MAX. CONTINUOUS PRESSURE

### MODEL 2065 SERIES

28" HG MAX. VAC., 17.0 CFM OPEN FLOW  
15 PSI MAX. CONTINUOUS PRESSURE

### MODEL 2565 SERIES

28" HG MAX. VAC., 21.0 CFM OPEN FLOW  
15 PSI MAX. CONTINUOUS PRESSURE

### PRODUCT FEATURES

- Lubricated operation
- Rugged construction/low maintenance
- Essentially pulse-free service

### INCLUDES

- Filter AC432 (1065), AC435 (2065/2565) – Compressors
- Pressure lubricator A380C (1065), AA95A (2065/2565)
- Pressure gauge AA644B
- Filter AA800C (1065), AA900D (2065/2565) – Vacuum Pumps
- Muffler AA800D (1065), AA900E (2065/2565) – Vacuum Pumps
- Oil reservoir AA960-1 (2065, 2565) AA960-2 (1065)
- Fan guards AC102B, AC102C
- Fan AC326A (1065), AC326C (2065/2565)
- Coupling assembly AE542A (1065), AE543B (2065/2565)
- Vacuum lubricator V40C

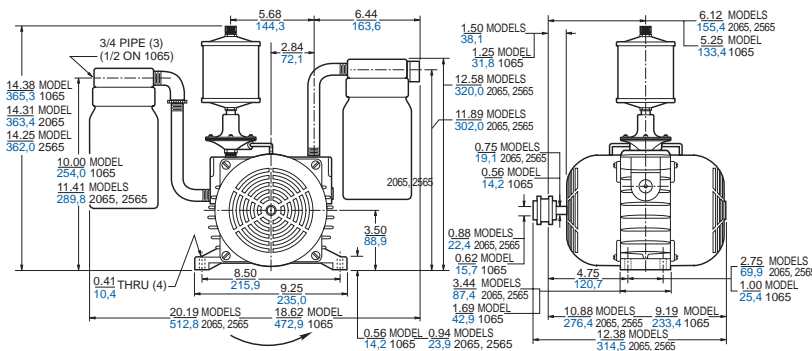
### RECOMMENDED ACCESSORIES

- Base AB320H (1065), AB320F (2065/2565)
- Coupling guard AE873
- Vacuum relief valve AA840A (1065), AA308 (2065/2565)
- Vacuum gauge AA640
- Oil AD220
- Pressure relief valve AA600 (1065), AA307 (2065/2565)
- Repair kit K297 (1065), K295 (2065), K296 (2565)

### Product Dimensions (mm, inches)

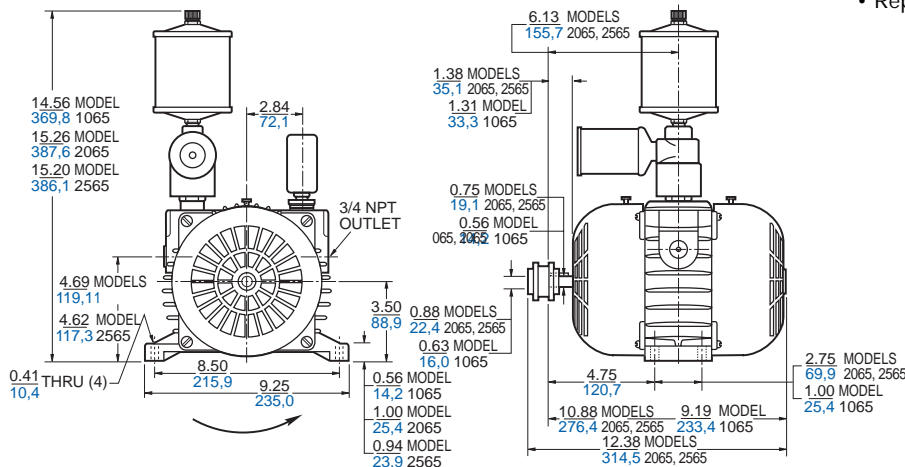
Dimensions are for reference only.

#### Vacuum Pump



**Note:** One piece coupling (AE542A) used on 1065,  
3 piece (AE543B) used on 2065/2565.

#### Compressor







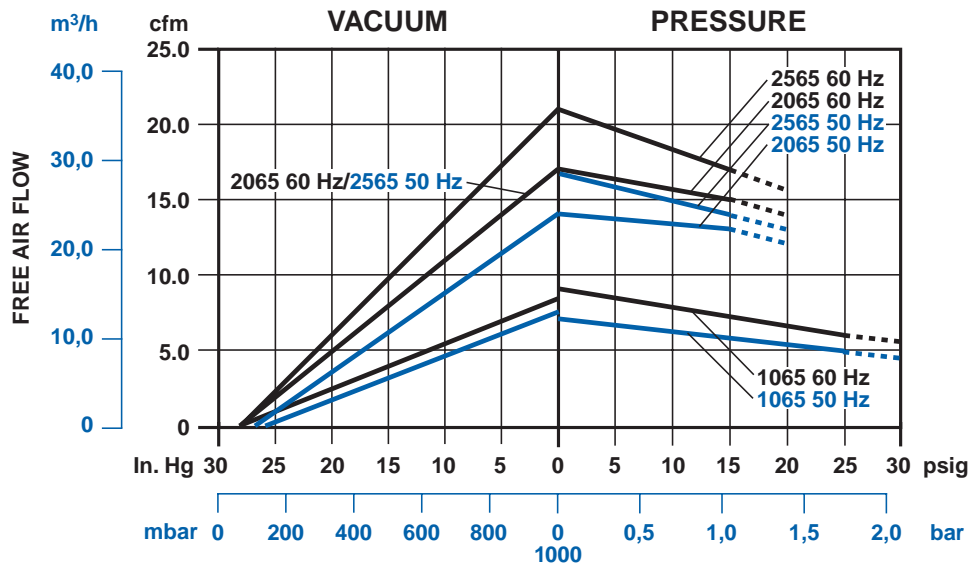
## Product Specifications

Note: "P" models are pressure, "V" models are vacuum.

Model Number	Motor	RPM		HP	kW	Coupling Guard	Base	Thermotector	Net Wt.	
		60 cycle	50 cycle						lbs.	kg
1065-P18	Not included	1725	1425	1	0,74				22	9,9
1065-V2A	Not included	1725	1425	1/2	0,37				23	10,4
1065-V3B	Not included	1725	1425	1/2	0,37	•	•		36	16,2
1065-V4B-G34AX	115/230-60-1	1725	—	1/2	0,37	•	•	•	56	25,2
1065-V2A-SD50-1*	220-240-50-1	—	1425	1/2	0,37	•	•		56	25,2
2065-P8	Not included	1725	1425	1 1/2	1,1				41	18,5
2065-P9B	Not included	1725	1425	1 1/2	1,1	•	•		61	27,5
2065-P10B-T336	230/460-60-3	1725	—	1 1/2	1,1	•	•		92	41,4
2065-V2A	Not included	1725	1425	1	0,75				43	19,4
2065-V3C	Not included	1725	1425	1	0,75	•	•		55	24,8
2565-P19	Not included	1725	1425	2	1,5				40	18,0
2565-V2A	Not included	1725	1425	1 1/2	1,1				38	17,1
2565-V3C	Not included	1725	1425	1 1/2	1,1	•	•		55	24,8
2565-V4C-T336	230/460-60-3	1725	—	1 1/2	1,1	•	•		84	37,8
2565-V89A-SD100-1*	380/415-50-3	—	1425	1	0,75	•	•		84	37,8

\*Available only in Europe.

## Product Performance (Metric, U.S.)





Lubricated Vacuum Pump



Lubricated Compressor

Oilless Compressor

## Lubricated or Oilless 2067, 2567 Series

### MODEL 2067 SERIES

**LUBRICATED:**

28" HG MAX. VAC., 17 CFM OPEN FLOW  
15 PSI MAX. PRESSURE

**OILLESS:**

27" HG MAX. VAC., 17 CFM OPEN FLOW  
15 PSI MAX. PRESSURE

### MODEL 2567 SERIES

**LUBRICATED:**

28" HG MAX. VAC., 21 CFM OPEN FLOW  
15 PSI MAX. PRESSURE

**OILLESS:**

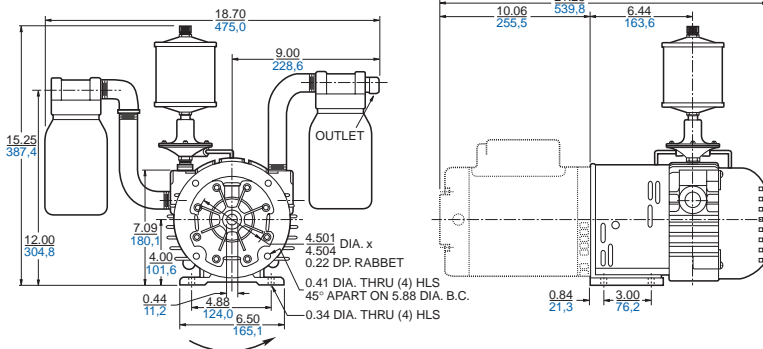
27" HG MAX. VAC., 21 CFM OPEN FLOW  
15 PSI MAX. PRESSURE

### Product Dimensions (mm, inches)

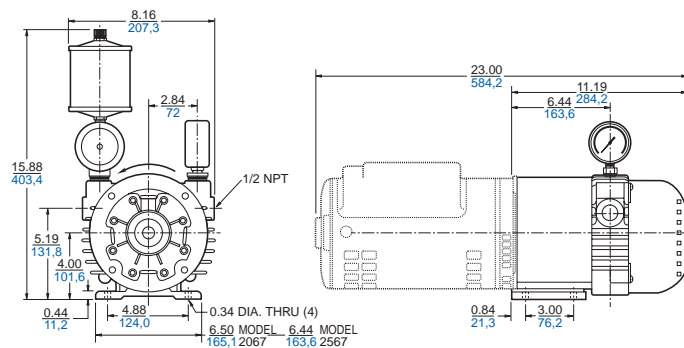
Dimensions are for reference only.

### Lubricated Versions

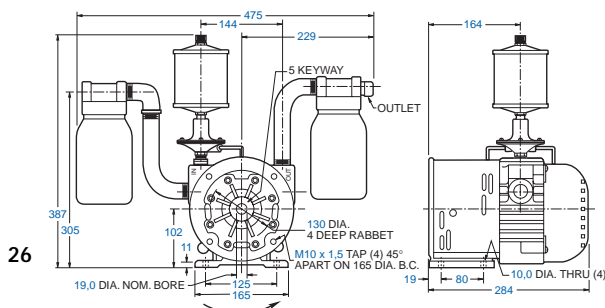
VACUUM PUMP (U.S. MODELS)  
NEMA 56 FRAME, C FACE, INLET 3/4 IN. NPT



COMPRESSOR (U.S. MODELS)  
NEMA 56 FRAME, C FACE, INLET 3/4 IN. NPT



VACUUM PUMP (METRIC MODEL)  
INLET 3/4 IN. BSP METRIC D90S MOUNTING



### PRODUCT FEATURES

- Close coupled/easy motor mounting
- Rugged construction/low maintenance
- Essentially pulse-free service

### INCLUDES

- Fan guards AC102C, AH194A
- Fan/coupling assembly AH198
- Filter AA900D (Vacuum Pump) – Lubricated
- Filter AC435 (Compressor) – Lubricated
- Muffler AA900E (Vacuum Pump) – Lubricated
- Filter AA905G (Compressor) – Oilless
- Muffler AA900F (Vacuum Pump) – Oilless
- Oil reservoir AA960-1
- Vac lubricator V40C
- Pressure lubricator AA95A
- Pressure gauge AA644B (U.S.) – Lubricated

### RECOMMENDED ACCESSORIES

- Vacuum relief valve AA308 (U.S. Models)
- Vacuum gauge AA640 (U.S. Models)
- Pressure relief valve AA307 (U.S. Models)
- Pressure gauge AA644B – Oilless
- Oil AD220
- Repair kit K349 – Lubricated
- Repair kit K350 – Oilless



## Product Specifications

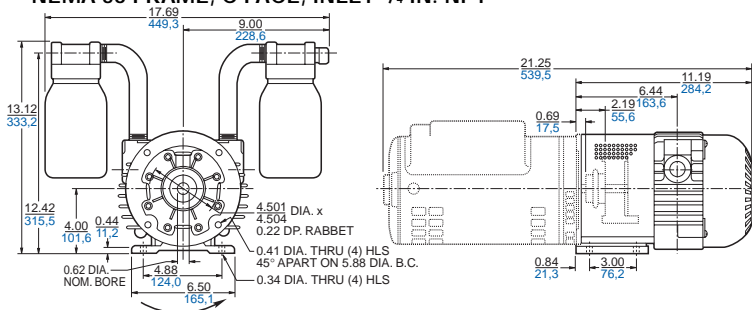
Note: "P" models are pressure, "V" models are vacuum.

Model Number	Motor	RPM		HP	kW	Net Wt.	
		60 Hz	50 Hz			lbs.	kg
<b>LUBRICATED</b>							
2067-P2	Not included	1725	1425	1½	1,1	46	20,7
2067-V1	Not included	1725	1425	1½	1,1	55	24,8
2567-P2	Not included	1725	1425	2	1,5	48	21,6
2567-V1	Not included	1725	1425	1½	1,1	51	23,0
2567-V5-G471 (like 2567-V1 plus motor)	230/460-60-3	1725	—	1½	1,1	93	41,9
<b>OILLESS</b>							
2067-P102	Not included	1725	1425	1½	1,1	47	21,2
2067-V103	Not included	1725	1425	1½	1,1	55	24,8
2067-V107-G561X (like 2067-V103 plus motor)	110/220-240; 115/208-230/50/60-1	1725	1425	1	0,75	84	37,8
2567-P102	Not included	1725	1425	2	1,5	46	20,7
2567-V103	Not included	1725	1425	1½	1,1	49	22,1
2567-V105 (metric)	Not included	1725	1425	1½	1,1	49	22,1
2567-V107-G471 (like 2567-V103 plus motor)	230/460-60-3	1725	—	1½	1,1	91	41,0
2567-V105-CC110-1*	220/240-380/415-50-3	—	1410	1½	1,1	93	41,9

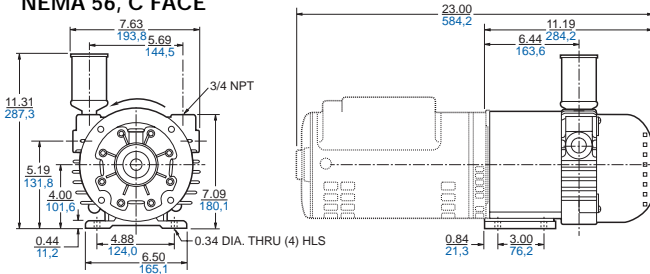
\*Available only in Europe.

### Oilless Versions

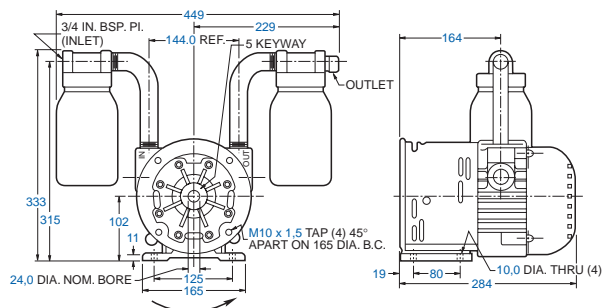
VACUUM PUMP (U.S. MODELS)  
NEMA 56 FRAME, C FACE, INLET ¾ IN. NPT



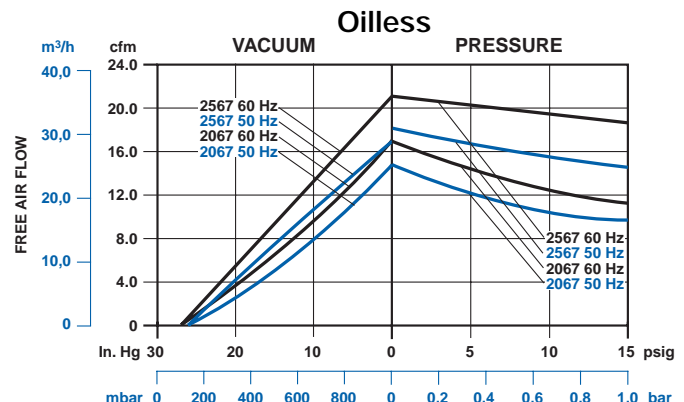
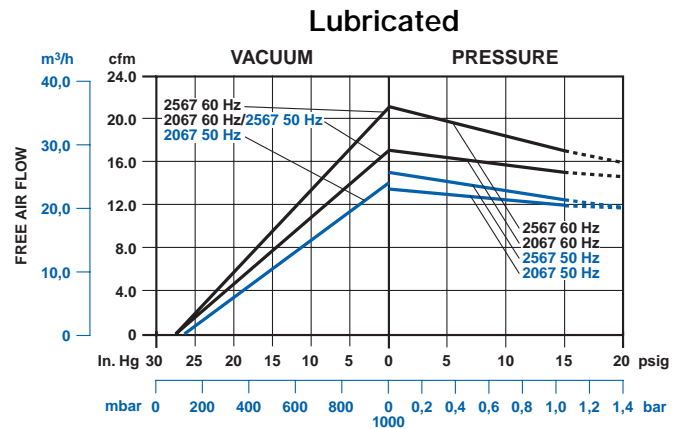
COMPRESSOR (U.S. MODELS)  
NEMA 56, C FACE



VACUUM PUMP (METRIC MODELS)  
INLET ¾ IN. BSP



### Product Performance (Metric, U.S.)





## Oilless 2567 Series

### MODEL 2567 SERIES DUAL FUNCTION

Ideal for graphic arts applications where simultaneous vacuum and pressure are needed.

**MAX. VAC. (WITH 5 PSI BACK PRESSURE)  
20" HG, OPEN FLOW (VAC. SIDE) 15 CFM**

#### PRODUCT FEATURES

- Oilless operation
- Dual pump performance with (1) pump/motor
- "Universal" motor included
- Rugged construction/low maintenance

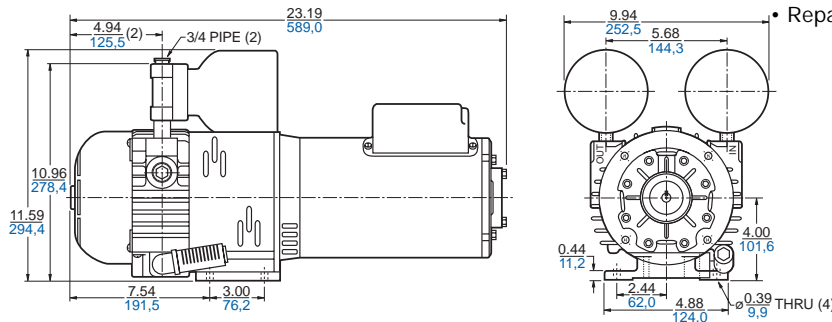
#### RECOMMENDED ACCESSORIES

- Vacuum gauge AA640
- Pressure gauge AA644B
- Repair kit K350

\*This dual function series comes with motor attached.

#### Product Dimensions (mm, inches)

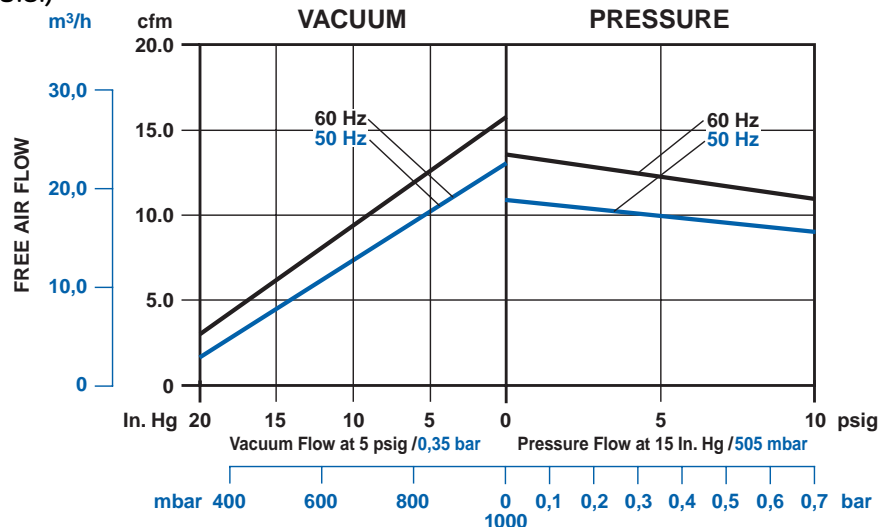
Dimensions are for reference only.

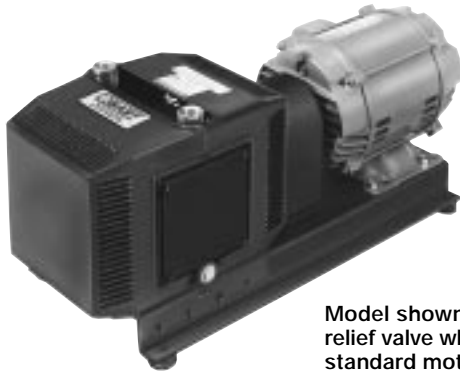


#### Product Specifications

Model Number	Motor	RPM		HP (60 Hz)	kW (60 Hz)	Net Wt.	
		60 Hz	50 Hz			lbs.	kg
2567-D122-G561X	115/208-230-60-1	1725	1425	1	0,75	90	40,5
	110/200-240-50-1						
2567-D122-G471	208-230/460-60-3	1725	1425	1½	1,1	90	40,5
	220/380-415-50-3						

#### Product Performance (Metric, U.S.)





## Oiless 80 Series

### MODEL 2080 SERIES

26" HG MAX. VAC., 25 CFM OPEN FLOW  
15 PSI MAX. PRESSURE

### MODEL 2080 DUAL FUNCTION

Ideal for graphic arts applications where simultaneous vacuum and pressure are needed.

9 PSI MAX. PRESSURE (@ 18" HG)  
15 CFM OPEN FLOW (PRESSURE SIDE)

### MODEL 3080 SERIES

26" HG MAX. VAC., 35 CFM OPEN FLOW  
15 PSI MAX. PRESSURE

### MODEL 3080 DUAL FUNCTION

Ideal for graphic arts applications where simultaneous vacuum and pressure are needed.

9 PSI MAX. PRESSURE (@ 18" HG)  
21 CFM OPEN FLOW (PRESSURE SIDE)

### MODEL 4080 SERIES

25" HG MAX. VAC., 45 CFM OPEN FLOW  
15 PSI MAX. PRESSURE

### MODEL 4080 DUAL FUNCTION

Ideal for graphic arts applications where simultaneous vacuum and pressure are needed.

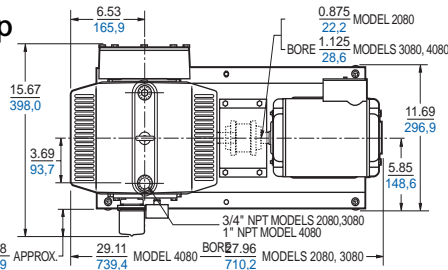
9 PSI MAX. PRESSURE (@ 18" HG)  
25 CFM OPEN FLOW (PRESSURE SIDE)

### Product Dimensions (mm, inches)

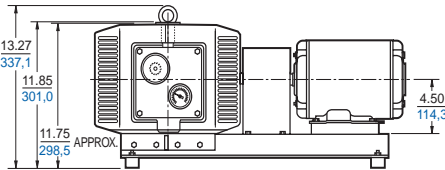
Dimensions are for reference only.

#### Vacuum Pump

Top View

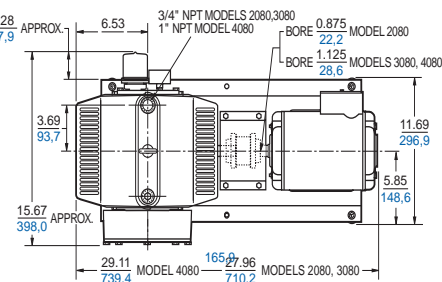


Side View

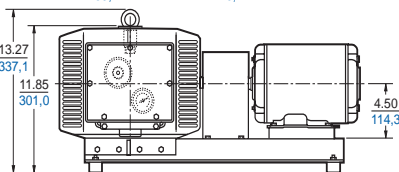


#### Compressor

Top View

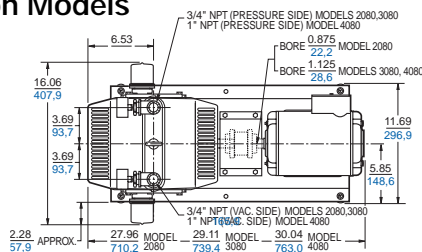


Side View

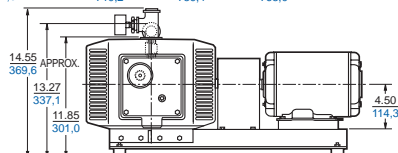


#### Dual Function Models

Top View



Side View



### PRODUCT FEATURES

- Oilless operation
- Rugged construction/low maintenance
- Low noise

### INCLUDES

- Internal sound suppression
  - Heavy duty internal filtration
  - Vacuum adjustable relief valve \*AN226, metric version AN226A (Vacuum Pump, Dual Function)
  - Pressure adjustable relief valve \*AN225, metric version AN225A (Compressor, Dual Function)
  - Vacuum gauge \*AA640 (Vacuum Pump, Dual Function)
  - Pressure gauge \*AA644B (Compressor, Dual Function)
- \* Not included in separate drive models

### RECOMMENDED ACCESSORIES

- Filter/muffler kits:  
K552 (Compressor or Vacuum Pump)  
K547 (Dual Function Models)
- Complete repair kits:  
K546 (Compressor or Vacuum Pump)  
K551 (Dual Function Models)



## Product Specifications

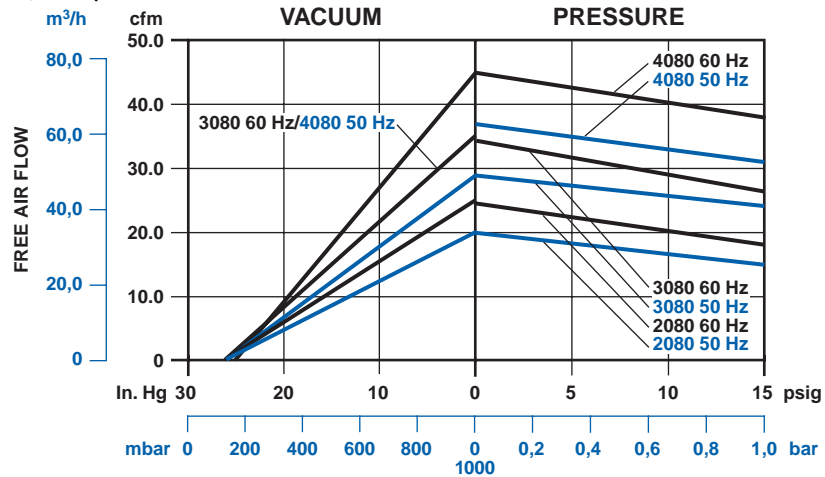
Note: "P" models are pressure, "V" models are vacuum, "D" models are dual function.

Model Number	Motor*	RPM		HP	kW	Net Wt.	
		60 cycle	50 cycle			lbs.	kg
2080-V102	Not included	1725	1425	2	1,5	91	41,0
2080-V128-T337	230/460-60-3	1725	—	2	1,5	125	56,3
2080-D129-T337	230/460-60-3	1725	1425	2	1,5	132	59,4
3080-P101	Not included	1725	1425	3	2,2	92	41,4
3080-P127-T338	208-230/460-60-3	1725	—	3	2,2	126	56,7
3080-V102	Not included	1725	1425	2	1,5	92	41,4
3080-V128-T337	230/460-60-3	1725	—	2	1,5	126	56,7
3080-D103	Not included	1725	1425	3	2,2	87	39,2
3080-D129-T338	208-230/460-60-3	1725	—	3	2,2	133	59,9
4080-P101	Not included	1725	1425	5	3,7	93	41,9
4080-P127-T339	208-230/460-60-3	1725	—	5	3,7	127	57,2
4080-V102	Not included	1725	1425	3	2,2	93	41,9
4080-V128-T338	208-230/460-60-3	1725	—	3	2,2	127	57,2
4080-D103	Not included	1725	1425	5	3,7	88	39,6
4080-D129-T339	208-230/460-60-3	1725	—	5	3,7	135	60,8

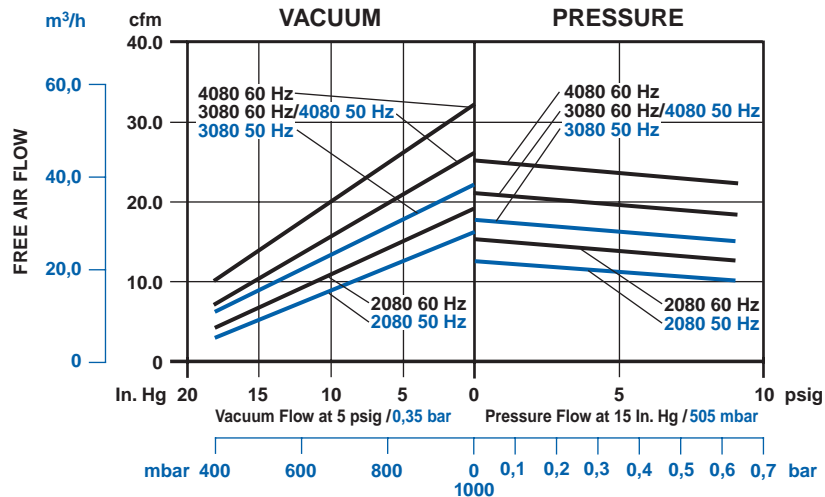
\*Gast recommends magnetic starter for electric motor, consult electrician for correct size.

## Product Performance (Metric, U.S.)

### Single Function Models



### Dual Function Models





## Lubricated or Oilless 3040 Series



**Lubricated Vacuum Pump**



**Oilless Compressor**

### MODEL 3040 SERIES

- 20" HG MAX. VAC.
- 10 PSI MAX. PRESSURE
- 31 CFM OPEN FLOW (OILLESS)
- 40 CFM OPEN FLOW (LUBRICATED)

#### PRODUCT FEATURES

- Lubricated or oilless operation
- Pulley driven (multiple speeds available)
- Rugged construction/low maintenance
- Essentially pulse-free service

#### INCLUDES

- Filter AA900D (Oilless), AB650C (Lubricated) – Vacuum Pumps
- Filter AD750 – Compressors
- Muffler AA900F (Oilless), AA900E (Lubricated) – Vacuum Pumps
- Oil reservoir AA960A-1
- Vacuum-actuated lubricator V40C (Lubricated)
- Pressure lubricator AD730
- 6.5" P.D. pulley AC374B
- Fan AD236 – Vacuum Pumps and Oilless Compressor

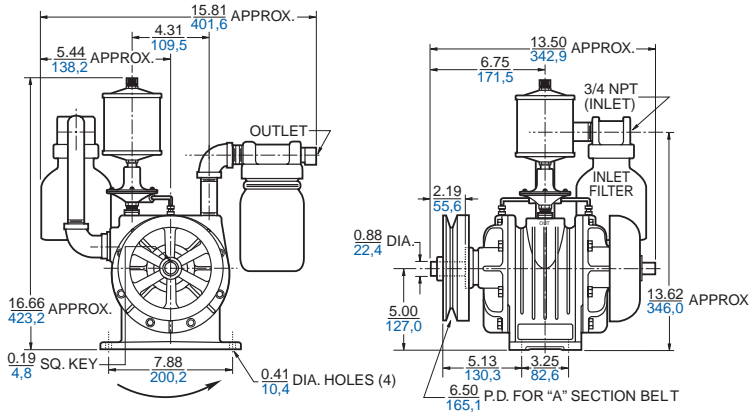
#### RECOMMENDED ACCESSORIES

- Base AB898A – Vacuum Pumps
- Base AB898B – Compressors
- Belt guard AB331A
- Vacuum relief valve AA308
- Pressure relief valve AA307
- Vacuum gauge AA640
- Pressure gauge AA644B
- Oil AD220 (Lubricated)
- Check valve AH326A – Vacuum Pumps
- Repair kit K233A (Oilless), K232A (Lubricated)

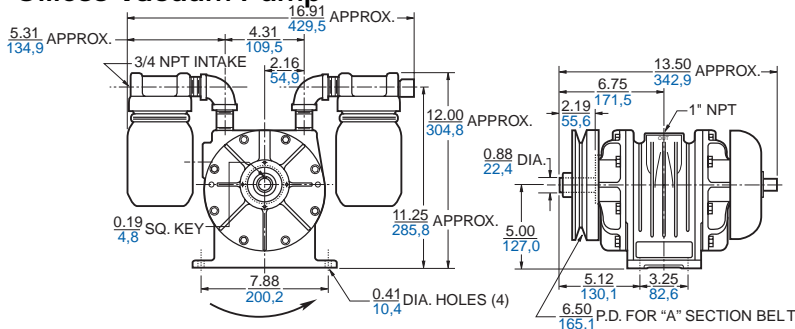
#### Product Dimensions (mm, inches)

Dimensions are for reference only.

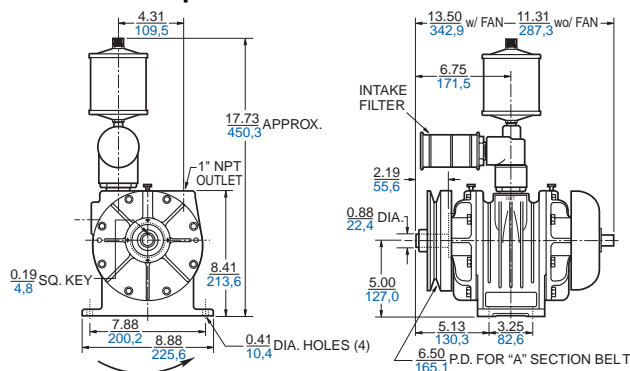
##### Lubricated Vacuum Pump



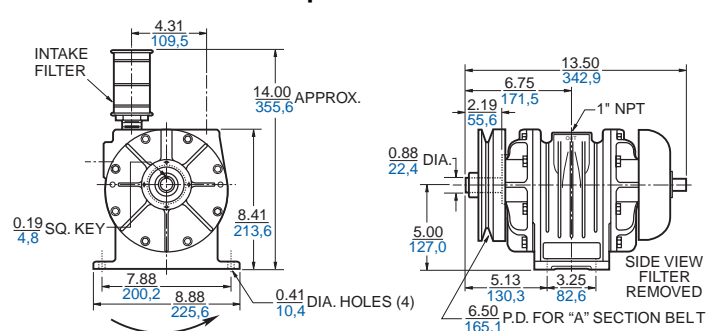
##### Oilless Vacuum Pump



##### Lubricated Compressor



##### Oilless Compressor





## Product Specifications

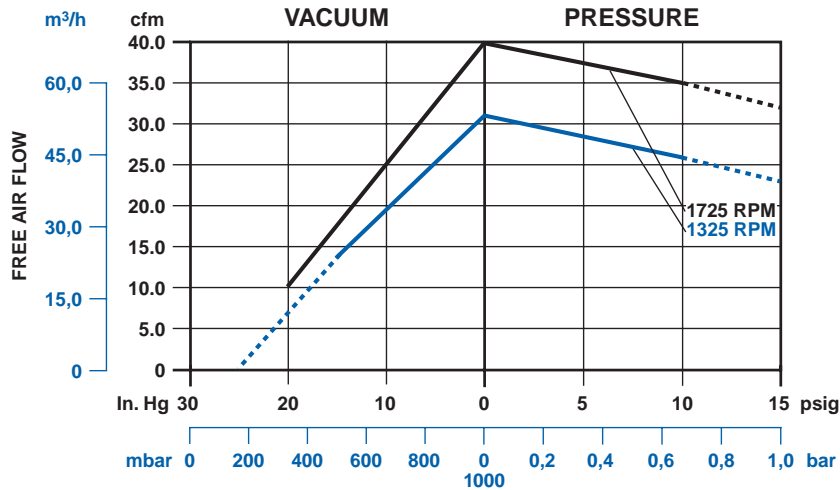
Note: "P" models are pressure, "V" models are vacuum.

Model Number	Motor	Base	Belt Guard	RPM	HP	kW	Net Wt.	
							lbs.	kg
<b>LUBRICATED</b>								
3040-P17A	—			1325	2	1,5	65	29,3
3040-P32B	—			1725	5	3,7	67	30,2
3040-V20B	—			1325	1½	1,1	69	31,1
3040-V29B	—			1725	2	1,5	71	32,0
3040-V29B-SD150-1*	415-50-3	•	•	1725	2	1,5	139	62,6
<b>OILLESS</b>								
3040-P118B	—			1060	1½	1,1	64	28,8
3040-P119F	—	•	•	1060	1½	1,1	94	42,3
3040-P120F-T336	230/460-60-3	•	•	1060	1½	1,1	126	56,7
3040-P119G	—	•	•	1325	3	2,2	98	44,1
3040-P120G-T338	230/460-60-3	•	•	1325	3	2,2	130	58,5
3040-P118B-SD110-1*	220/240-380/ 415-50-3 TEFC	•	•	1060	1½	1,1	130	58,5
3040-V115A	—			1325	2	1,5	70	31,5
3040-V116E	—	•	•	1060	1½	1,1	100	45,0
3040-V117E-T336	230/460-60-3	•	•	1060	1½	1,1	145	65,3
3040-V116F	—	•	•	1325	2	1,5	100	45,0
3040-V117F-T337	230/460-60-3	•	•	1325	2	1,5	148	66,6
3040-V115A-SD110-1*	220/240-380/ 415-50-3 IP54	•	•	1060	1½	1,1	145	65,3
3040-V115A-SD150-1*	415-50-3	•	•	1325	2	1,5	148	66,6

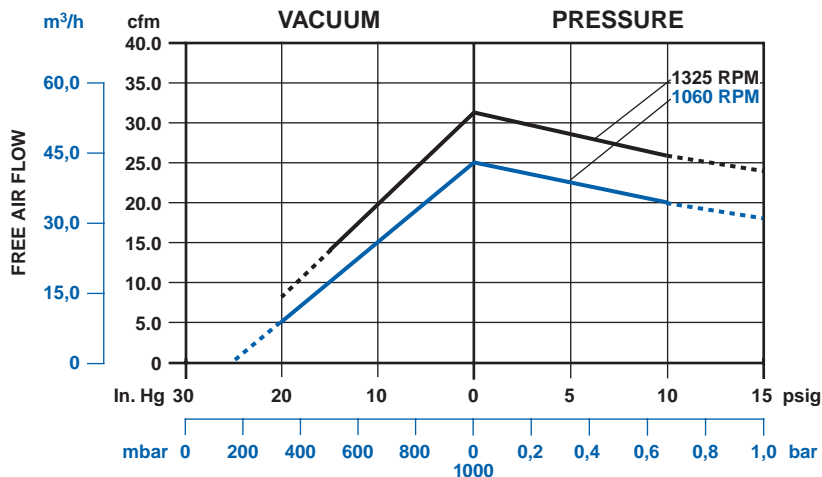
\*Available only in Europe.

## Product Performance (Metric, U.S.)

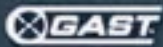
### Lubricated



### Oilless

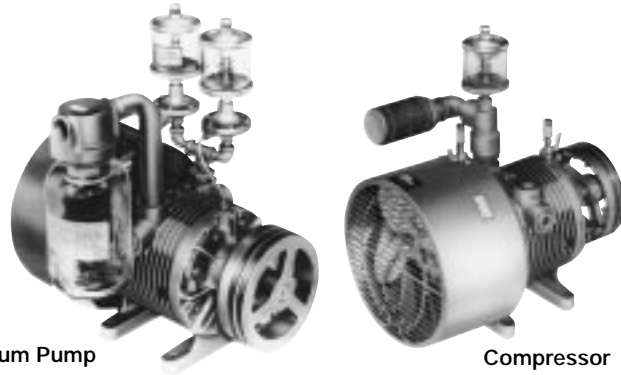






# Separate Drive Rotary Vane

35.0 cfm at 1350 rpm, 47.5 cfm at 1725 rpm



Vacuum Pump

Compressor

## Lubricated 4565 Series

### MODEL 4565 SERIES

25" HG MAX. VAC., 47.5 CFM OPEN FLOW

15 PSI MAX. PRESSURE

#### PRODUCT FEATURES

- Lubricated operation
- Pulley driven (multiple speeds available)
- Rugged construction/low maintenance
- Essentially pulse-free service

#### INCLUDES

- Oil reservoir AA960A-1
- 6.5" P.D. pulley AC376B for "A" section belts
- Filter/muffler AD560 (2) on vacuum pump
- Filter AD750 (Compressor)
- Fan AD721
- Vacuum-actuated lubricator V40C (2)
- Pressure lubricator AD730

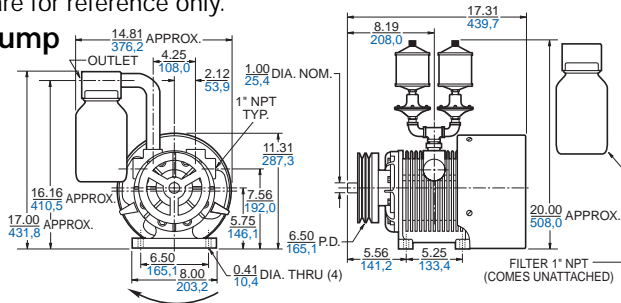
#### RECOMMENDED ACCESSORIES

- Base AB322C
- Vacuum relief valve AA308
- Pressure relief valve AA307
- Vacuum gauge AA640
- Pressure gauge AA644B
- Oil AD220
- Belt guard AB331B-1
- Repair kit K242 (Vacuum Pump)
- Repair kit K243 (Compressor)

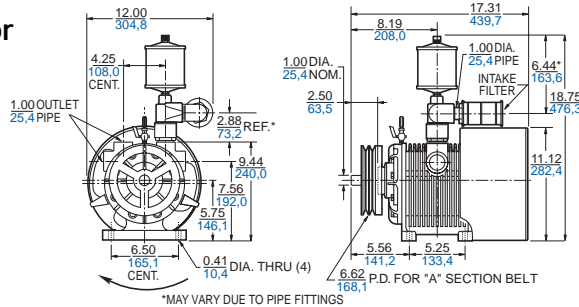
#### Product Dimensions (mm, inches)

Dimensions are for reference only.

##### Vacuum Pump



##### Compressor



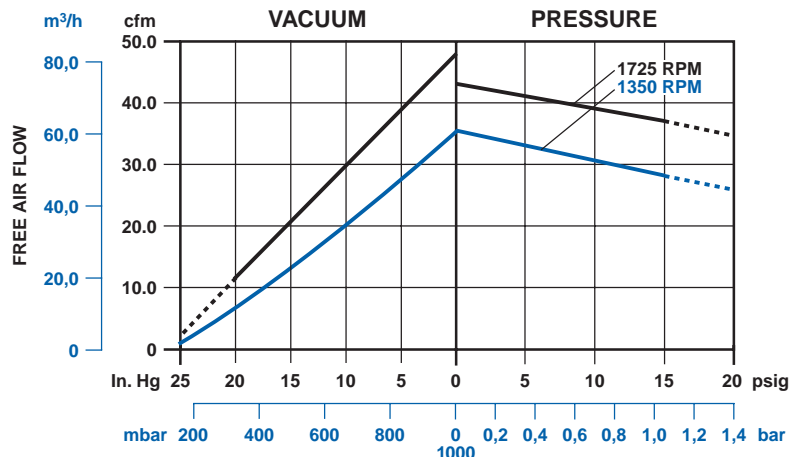
\*MAY VARY DUE TO PIPE FITTINGS

Product Specifications Note: "P" models are pressure, "V" models are vacuum.

Model Number	Motor	Base	Belt Guard	RPM	HP	kW	Net Wt.	
							lbs.	kg
4565-P3	—	—	—	1725	5	3,7	103	46,4
4565-V6*/4565-V6A	—	—	—	1725	3	2,2	105	47,3
4565-V15D	—	•	•	1350	3	2,2	127	57,2
4565-V15D-T338	230/460-60-3	•	•	1350	3	2,2	187	84,2
4565-V15E	—	•	•	1725	3	2,2	127	57,2
4565-V15E-T338	230/460-60-3	•	•	1725	3	2,2	187	84,2

\*Model 4565-V6 is the stock version and comes with plumbing unattached.

#### Product Performance (Metric, U.S.)





## Lubricated 5565 Series

### MODEL 5565 SERIES

25" HG MAX. VAC., 55 CFM OPEN FLOW

#### PRODUCT FEATURES

- Lubricated operation
- Rugged construction/low maintenance
- Essentially pulse-free service

#### INCLUDES

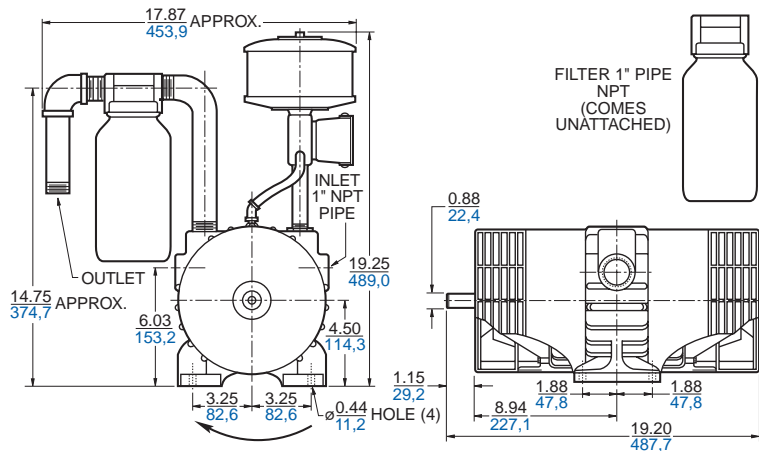
- Filter AD560
- Muffler AD560B
- Oil reservoir AD185
- Motorized lubricator AD190-V4
- Coupling AE544B-1 (.88" x 1.13")

#### RECOMMENDED ACCESSORIES

- Base AB322E
- Vacuum relief valve AE961
- Vacuum gauge AA640
- Oil AD220
- Repair kit K299
- Coupling guard AH380B-1

#### Product Dimensions (mm, inches)

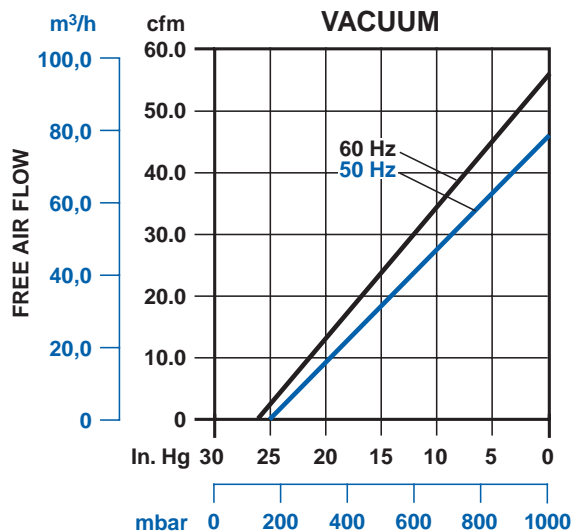
Dimensions are for reference only.

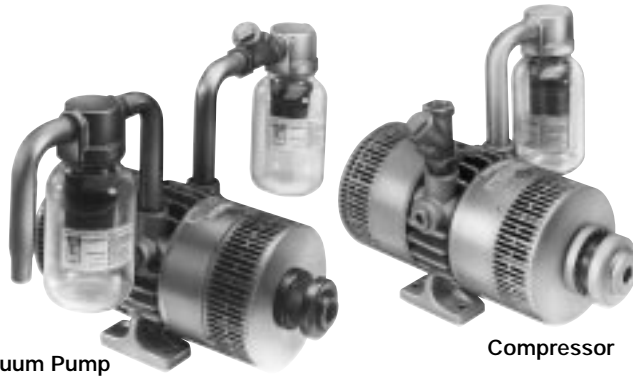


#### Product Specifications

Model Number	Motor	Base	Coupling Guard	RPM		HP	kW	Net Wt.	
				60 Hz	50 Hz			lbs.	kg
5565-V4	—			1725	—	3	2,2	95	42,8
5565-V5A	—	•	•	1725	—	3	2,2	140	63,0
5565-V7	—			1725	—	3	2,2	95	42,8
5565-V6A-T338	230/460-60-3	•	•	1725	—	3	2,2	172	77,4

#### Product Performance (Metric, U.S.)





Vacuum Pump

Compressor

## Oiless 6066 Series

### MODEL 6066 SERIES

25" HG MAX. VAC., 55 CFM OPEN FLOW

15 PSI MAX. PRESSURE

#### PRODUCT FEATURES

- Oilless operation
- Rugged construction/low maintenance
- Essentially pulse-free service

#### INCLUDES

- Filter AD560
- Muffler AD560B
- Coupling AE544B-1 (.88" x 1.13") – Vacuum Pump
- Coupling AE765 (.88" x 1.13") – Compressor
- Check valve AH326B

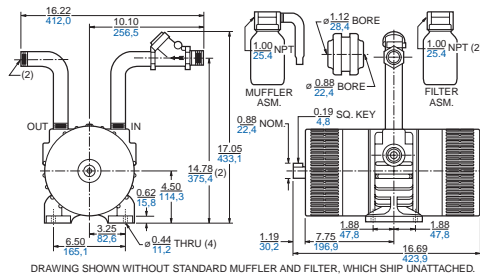
#### RECOMMENDED ACCESSORIES

- Vacuum relief valve AE961
- Pressure relief valve AA307
- Vacuum gauge AA640
- Pressure gauge AA644B
- Coupling guard AH380B-1
- Base AB322E
- Repair kit K503

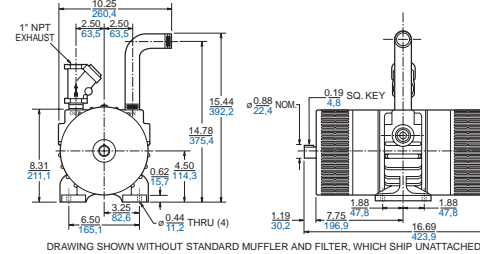
#### Product Dimensions (mm, inches)

Dimensions are for reference only.

##### Vacuum Pump



##### Compressor

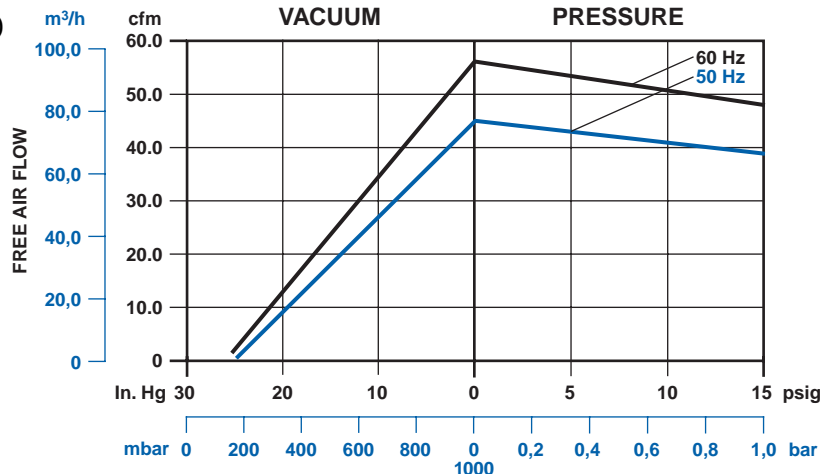


**Product Specifications Note:** "P" models are pressure, "V" models are vacuum.

Model Number	Motor	Base	Coupling Guard	RPM		HP	kW	Net Wt.	
				60 Hz	50 Hz			lbs.	kg
6066-P102	—	—	—	1725	—	5	3,73	88	39,6
6066-P106A-T339	230/460-60-3	•	•	1725	—	5	3,73	203	91,4
6066-P108-SD400-1*	415-50-3	•	•	—	1425	5	3,73	203	91,4
6066-V103	—	—	—	1725	—	5	3,73	92	41,4
6066-V105A	—	•	•	1725	—	5	3,73	114	51,3
6066-V107A-T339	230/460-60-3	•	•	1725	—	5	3,73	183	82,4
6066-V109-BC630-1*	415-50-3	•	•	—	1425	3	2,2	172	77,4

\*Available only in Europe.

#### Product Performance (Metric, U.S.)





# Special Purpose Units – Compressors for Soil Sparging up to 112 cfm



Model 0823

Units are supplied with special, high capacity filtration plus motors that allow up to 30% more pressure than the standard model counterpart.



Model 2080/3080



Model 2067/2567

## Oiless 0823, 2080/3080, 2067/2567, 6066 and 1290 Series

### MODEL 0823

10 PSI MAX. CONTINUOUS PRESSURE  
8 CFM OPEN FLOW

### MODELS 2080/3080

15 PSI MAX. PRESSURE  
25-35 CFM OPEN FLOW

### MODELS 2067/2567

20 PSI MAX. PRESSURE  
17-21 CFM OPEN FLOW

### MODELS 6066

20 PSI MAX. PRESSURE  
37-55 CFM OPEN FLOW

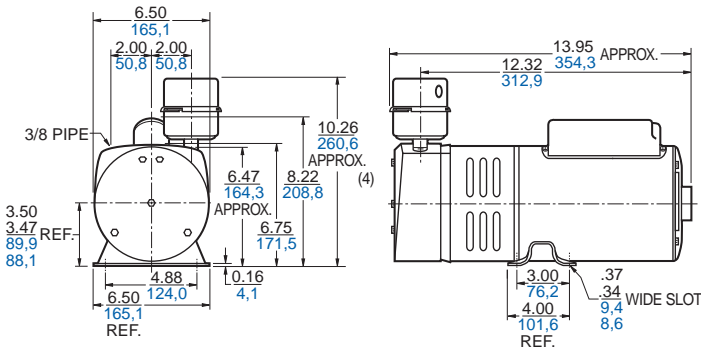
### MODELS 1290

20 PSI MAX. PRESSURE  
112 CFM OPEN FLOW

### Product Dimensions (mm, inches)

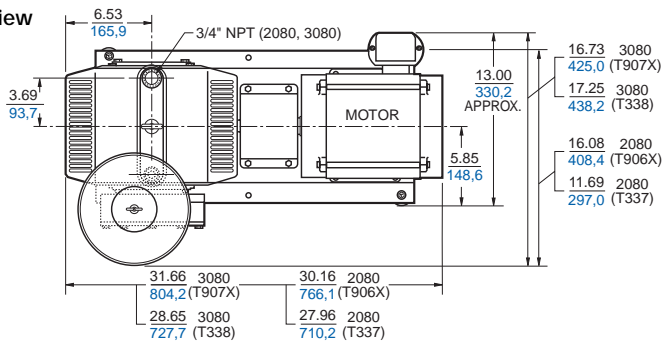
Dimensions are for reference only.

#### Model 0823

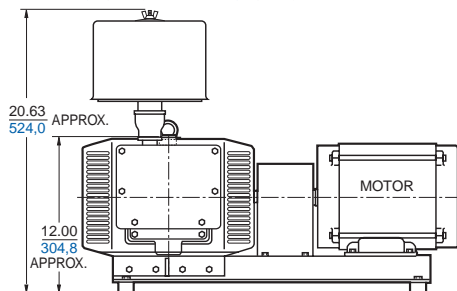


#### Models 2080/3080

##### Top View



##### Side View



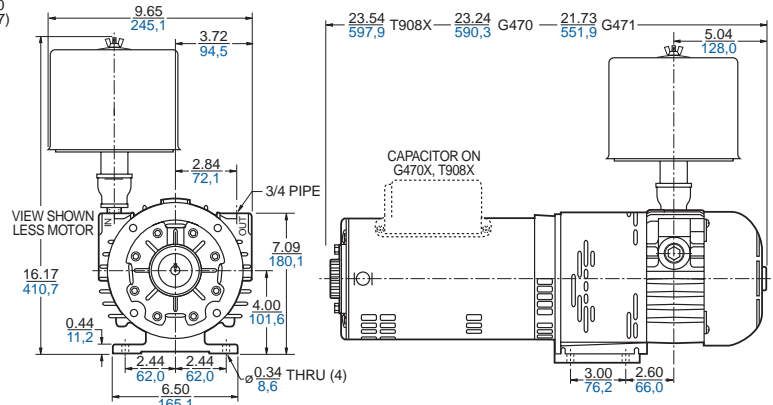
### PRODUCT FEATURES

- Oilless operation
- Rugged construction/low maintenance
- Heavy-duty filters

### RECOMMENDED ACCESSORIES

- Pressure gauge AA644B
- Relief valves:  
AA600 (0823)  
AN225 (2080, 3080)  
AA307 (2067, 2567, 6066, 1290)
- Repair kits:  
K479A (0823)  
K546 (2080, 3080)  
K585 (filter/muffler kit for 2080)  
K584 (filter/muffler kit for 3080)  
K357 (2067, 2567)  
K503 (6066, 1290 – use 2)

#### Models 2067/2567





## Product Specifications

Note: All models are compressors.

Model Number	Motor	RPM		HP	kW	Net Wt.	
		60 cycle	50 cycle			lbs.	kg
0823-P155-SG608X*	100-110/220-240-50-1 110-115/208-230-60-1	1725	1425	<sup>3</sup> / <sub>4</sub>	0,56	50	22,5
2080-P124-T337†	230/460-60-3	1725	—	2	1,5	135	60,8
3080-P124-T338†	208-230/460-60-3	1725	—	3	2,2	160	72,0
2067-P118-G470X†	115/230-60-1	1725	—	1 1/2	1,1	84	37,8
2067-P118-G471*†	220/380-415-50-3 208-230/460-60-3	1725	1425	1 1 1/2	0,75 1,1	84	37,8
2567-P132-T908X†	115/230-60-1	1725	—	2	1,5	85	38,3
6066-P122A	For 213T or 215T frame motor	1725	—	7 1/2	5,6	88	39,6
6066-P122-T339***†	208-230/460-60-3	1725	—	5	3,7	205	92,3
1290-P110	For 215T frame motor	1725	—	10	7,5	220	99,7
1290-P110A	For 254T frame motor	1725	—	15	11,1	230	104,0

\*For 50 Hz performance, reduce air flow on grid by approximately 17%.

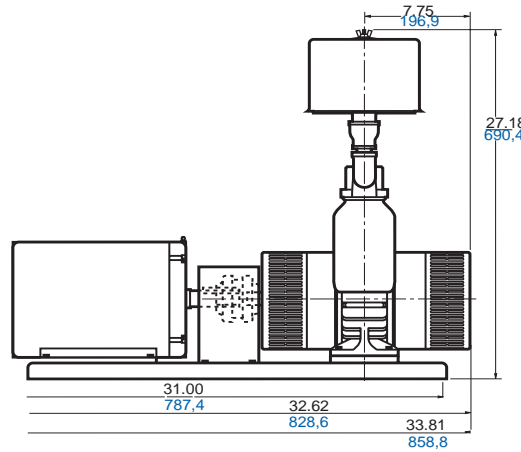
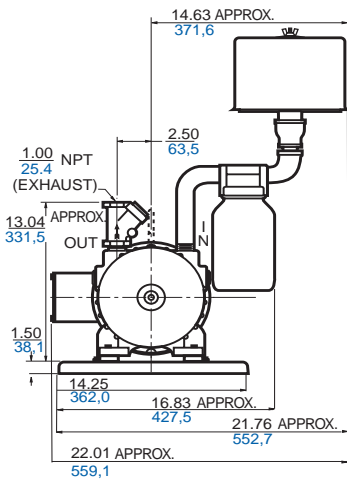
\*\*\*These models are capable of 15 psi max. performance, reference performance grid below.

†Also available as separate drive, less the motor. To order as a separate drive version, specify the first two sets of digits only of this model number. Consult factory or distributor for the correct Nema frame size motor to use. Customer supplied motor must have minimum service factor of 1.15.

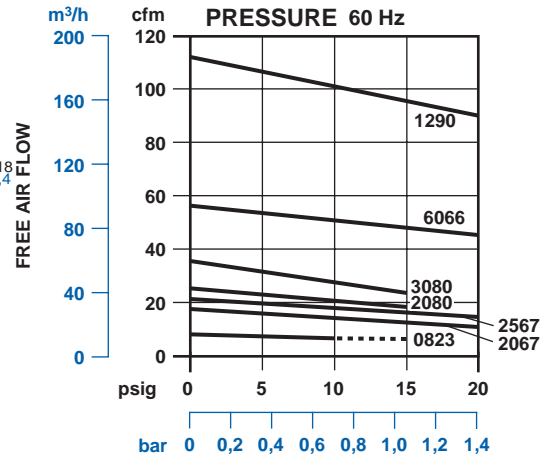
## Product Dimensions (mm, inches)

Dimensions are for reference only.

### Models 6066



## Product Performance (Metric, U.S.)



### Models 1290

